

START BOOSTER

12V - 24V - 12/24V

EN/ USER MANUAL	02
FR/ NOTICE D'UTILISATION	09
DE/ BEDIENUNGSANLEITUNG	16
IT/ LIBRETTO DI ISTRUZIONI	23
ES/ MANUAL DEL USUARIO	30
NL/ GEBRUIKERSHANDLEIDING	37
PT/ MANUAL DO USUARIO	44

**SWISS
MADE** 

1. GENERAL INFORMATION

Thank you for purchasing this handcrafted Start Booster manufactured in Switzerland. This device was designed for professional use only. Our focus is to provide quality Start Boosters for professionals who depend on them to get the job done.

Make sure the user of this Start Booster has read and understood this user manual before using the device. It contains important safety instructions.

Please make sure to recharge your Start Booster completely before every jump start attempt. Use the supplied charger.

Depending on the type of jump starter, please refer to the appropriate section of this manual for specific precautions. We have developed various technologies to jump start vehicles and each one has its own specifications.

If you have any questions after reading this manual, please do not hesitate to contact us or your distributor directly for more information.

2. SAFETY PRECAUTIONS

This device has been designed for trained professionals and according to the codes of practice valid at that time. It is safe to operate, but please make sure to read and understand this user manual beforehand. It can be dangerous if it is used by non-professionally trained personnel or in an incorrect way. The manufacturer cannot be held responsible for the incorrect use of this device. Please follow these steps for maximum safety:



- Always wear safety equipment: Goggles, gloves, ear protection and appropriate attire.

- Only use accessories or attachments approved by the manufacturer.



- Always keep this manual close when using the device.

- Modifications or alterations to this device are forbidden.

- Repairs and service can only be performed by an official authorized center.



- Only use the supplied automatic or smart charger.

- Damaged chargers or devices must be immediately fixed or replaced.

- Always use this device in a well-ventilated area. Never use in potentially explosive areas or near flammable materials.



- Never leave your Start Booster discharged. Always make sure it is fully charged, otherwise it could void the warranty.

- Avoid short circuits and never have the clamps touch each other, or any metal part at the same time.

- Never submerge in water, burn or throw away in domestic waste.

- Safety equipment, such as fire extinguisher or water to rinse eyes, should always be nearby. Also make sure someone else is nearby in case of emergency.



- Do not smoke, use a lighter or matches near batteries. Do not wear vinyl clothing when using this device, because it could create sparks.

- Remove personal metal items when working near engines/motors & batteries.

- Always read the vehicle's user manual before trying to jump start.

- This device is only meant to start lead acid batteries, not lithium or dry cell batteries that

- could be found in home appliances for example. Lead can be dangerous for pregnancy.
- This device is not meant to be used by people (including children) with reduced physical or mental capabilities, or by people without experience or that have not been professionally trained.
 - Please keep out of reach of children to make sure they do not play with the device.
 - Always keep this device in the OFF (or disconnected) position when not in use.
 - If this device has been dropped, is damaged or is leaking, please have it controlled right away by an authorized agent.



- Always attach the clamps correctly on the device after each use.
- Battery acid and gases can be dangerous, never touch or inhale them.
- Be careful when operating inside engine bays. Moving parts may cause injuries.
- Never start or recharge a frozen (very cold) battery. It could be very dangerous.
- Always check the voltage of the vehicle's battery before trying to jump start it.
- Please recycle this device, its battery and packaging properly.
- Always keep the device at room temperature (15-25°C) when stored. Never leave for an extended period of time in the rain, in the cold or in warm temperatures.



3. FEATURES

A. SAFETY FUSE

If your Start Booster is equipped with a Safety Fuse please read the following:

Fuses have been developed to protect your Start Booster and vehicle against reverse polarity connections. If your jump starter is not already equipped with a safety fuse, you still have the possibility to add a new type of clamp with a built-in safety fuse. Please contact your distributor directly to ask if your device is compatible.

Different Types of Fuses:

Fuses exist in various sizes: 300A – 500A – 1000A. Please check which fuse was installed in your device before ordering a new one. You can ask your distributor if you need to change a fuse. Please make sure that you use an approved fuse only.

Using a fuse that is not approved will void the warranty.

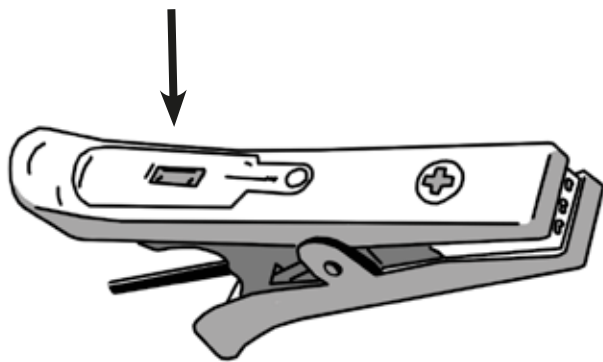
Locations of the fuses:

Depending on the model of Start Booster, the fuse can be located in various places:

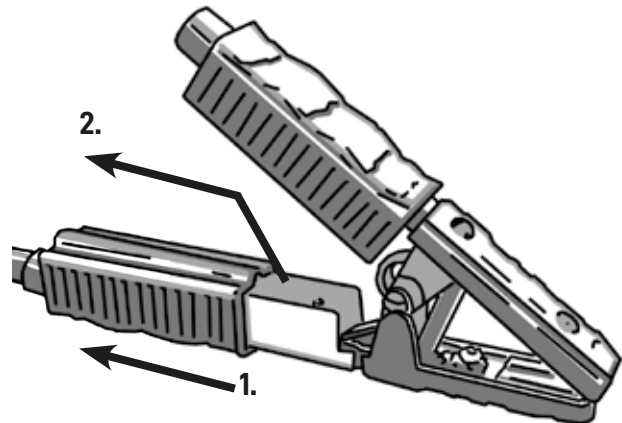
- On the booster itself, either on the front or the back of the unit.
- Inside the handle of the positive clamp.

Our fuses come with a small window to check if the fuse is blown or not. Sometimes, depending on the features, you might have an extra spare fuse directly built-in the unit itself to be able to change it if the original has burst. Fuses are very easy to change. First open the window with a screwdriver and then remove the two bolts holding the fuse. Be careful not to remove the two bolts behind the fuse. Then replace the fuse and tighten the two bolts to hold the fuse in position. Please also note that the physical dimensions of the fuse will vary, depending if it is a fuse for the Booster casing or a fuse that is installed inside the clamp.

Fuse on the positive clamp:



- 1: slide handle backwards
- 2: take out fuse



B. ON/OFF SWITCH

If your Start Booster is equipped with an ON/OFF Switch, please read the following.

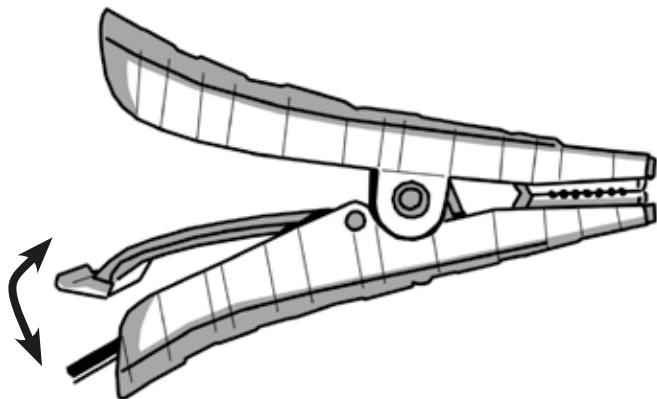
Different types of switches:

- On the Booster itself.
- Inside the handle of the negative (black) clamp.

On the unit itself, please turn OFF or ON according to the labels on the switch. Inside the clamp, push the clip upwards to turn it ON and downwards to turn it OFF.

There is a sign on the handle as well to remind you. See the image below. Always have your device turned OFF when not in use or when connecting your clamps to your vehicle or battery. Only turn it ON after you made sure the clamps are properly connected to the vehicle. Once the vehicle has started please remove the Negative clamp first, then turn your ON/OFF switch OFF and then remove the positive clamp.

ON / OFF Clip on Negative clamps:



UP position is ON
DOWN position is OFF

C. REVERSE POLARITY ALARM

The reverse polarity alarm, or Buzzer, will emit a sound and light when it detects a reverse polarity condition. It works in conjunction with the ON/OFF switch located on the Booster. To make sure it is used properly, always have the booster turned OFF or disconnected before use. Then connect the clamps to the vehicle's terminals or battery and at this moment the alarm will emit a noise and light if it detects a reverse polarity connection. If the clamps are properly connected, nothing will happen. In this case, you can then turn your unit ON, or select the proper voltage on a 12/24V model before jump starting your vehicle.

D. 12/24V CONNECTOR / SWITCH

The 12/24V models are either equipped with a voltage selection switch or with Red Connectors. In both cases the unit can be turned OFF, by either placing the switch in the center position (OFF), or by pulling the red connector out (Do not to pull on the cables, only pull on the connector handle to disconnect). To select the correct voltage, please refer to the battery of the vehicle (by reading the user manual of the vehicle itself). Once you have made sure of the voltage, either turn the switch to 12V or 24V, or plug the red connector into the 12V or 24V side accordingly. It is important to select the correct voltage to avoid damaging the vehicle, or Booster and to avoid any explosion due to rapid overcharging.

Before turning the Booster ON, make sure that the clamps are properly connected and that there is no reverse polarity. Then turn the Booster ON to jump start the vehicle. Once the vehicle has started, please remove first the negative clamp, turn the Booster OFF and then remove the positive clamp.

E. CHARGE STATUS

Different models will have different charge status indicators. These voltmeters let you know if your Start Booster is charged or not. There are different types of voltage indicators:

- **LED Voltmeter:** composed of 5 LED lights going from Red to Orange to Green. This method is easy to understand whether your unit is charged or not. When 4 LED lights are ON, it means that your unit is ready for use. The 5th LED light will only turn ON when your device is connected to a charger (and is fully charged), or when your device is connected to a working alternator. After you have started your vehicle, leave your Booster connected to the vehicle and alternator for 10 seconds **maximum**. If the 5th Green LED light does not turn ON when the test button is held down or toggled, it means that your alternator is not working correctly.

- **Digital/Analogue Voltmeter:** These two voltmeters will only indicate the voltage of the Booster. If your Booster is below 12.8V, it needs to be recharged. When you leave your Booster connected to the vehicle for 10 seconds **maximum**, the voltmeter should read the voltage output of the alternator, which will let you know if the alternator is working properly or not. (a working alternator has an output of approximately 14V).

F. CHARGING METHODS

Boosters with 12V/24V switch or red connector need to be on 12V position to charge.

There are different types of chargers available for the Start Boosters:

Automatic Chargers:

This series is called the LESA series. It comes in 12V or 24V. This series is fully automatic, which means that it will not overcharge your Booster.

LESA1 Car Charger:

This Charging cable is designed only for Start Boosters with batteries. It is meant to recharge your Booster from the cigar socket of your vehicle whilst driving. Make sure to disconnect it when the vehicle is not turned ON, to avoid discharging the battery.

Smart Chargers:

There are a full series of smart chargers in 6V, 12V and 24V. When the charger is plugged into the socket or connected to the clamps directly, please press the 'snow flake' (AGM) mode on the charger to start the charge.

CAP

Start Booster Chargers:

This charger series is called CAP. They come in various sizes and are designed for our line of Batteryless Jump Starters. When the unit is fully charged, please remove the charger and do not keep it on charge.

Other methods to recharge your Batteryless Start Booster:

You can recharge your Batteryless Start Booster by connecting its clamps to a good, charged 12V battery. Depending on the size of the battery, it can take up to a few minutes to recharge your Booster.

Another way to recharge a Batteryless Start Booster would be to leave it connected for 10-15 seconds **maximum** to the engine/alternator of the vehicle after it has started. The alternator will recharge it immediately. (Please make sure to remove the clamps after 15 seconds max.)

Make sure to only use the supplied charger. Using a non-authorized charger will void the warranty and can be dangerous. Batteries or Capacitors that are overcharged will inflate and start producing gases, which may cause an explosion or a fire. That is why we only recommend using the supplied charger in a well ventilated area.

4. OPERATING INSTRUCTIONS

Always wear safety equipment before trying to jump start your vehicle. Make sure the area is well ventilated and that the terminals are clean.

Ensure that your unit is fully charged before attempting to jump start.

If you have a 12/24V unit, make sure that the voltage selector switch is on "OFF" or that the red voltage connector plug is unplugged. If you have a 12V (or 24V) unit with ON/OFF switch, make sure it is turned OFF. Please also make sure that the cables are not in the path of moving parts in the vehicle's engine bay.

The battery terminal not connected to the frame should be connected first. The other terminal should be connected to the frame, far from the battery and fuel lines. After starting, remove the frame connection first, then the connection from the battery.

Please turn OFF the air conditioning, the radio and the lights before jump starting.

A. BATTERY START BOOSTER

1. Connect the positive (red) clamp to the positive terminal.
2. Connect the negative (black) clamp to the frame of the vehicle (ground).
3. If you have a 12/24V unit, choose the voltage with the voltage selector switch or with the voltage connector plug 12V or 24V. If you have a 12V or 24V unit with ON/OFF switch, turn it ON.
4. Start your engine staying clear of the battery and the Start Booster. Make sure that it can not fall inside the engine compartment.
5. Once started, first disconnect the negative clamp, then turn the voltage selection switch OFF, or unplug the voltage connector plug from the 12/24V unit.
6. Then disconnect the red (positive) clamp.
7. Store both clamps immediately in their respective placing.
8. Recharge the Jump Starter with the supplied automatic charger.

Important: Should the vehicle refuse to start within 10 seconds, have the Start Booster cool down for 3 minutes before the next attempt. If it still doesn't start, have your car battery or engine checked. It may be that the car battery is defective as well and refuses to accept the current from the Jump Starter.

This Start Booster can also be used as a source of power. For example, you can use a 12V OBD Memory Saver cable or 12V LED lights which you can connect to the socket of the Booster. Please always recharge the Start Booster after use.

B. BATTERYLESS START BOOSTER

1. Make sure the unit is fully charged and turned OFF.
2. Connect the positive (red) clamp to the positive terminal.
3. Connect the negative (black) clamp to the frame of the vehicle (ground).
4. If you have a 12/24V unit, choose the voltage with the voltage selector switch. If you have a 12V or 24V unit with ON/OFF switch, turn it ON.
5. Start your engine staying clear of the battery and the Start Booster. Make sure that it can not fall inside the engine compartment.
6. Before removing the clamps, you can leave your unit connected to vehicle/alternator for 10-15 seconds maximum to allow the alternator to recharge your device.
7. Once started, first disconnect the negative clamp, then turn the voltage selection switch OFF.
8. Then disconnect the red (positive) clamp and store them directly.

Note: It is normal that your Booster will get discharged quickly. It will also get recharged very fast if you connect it to a battery (please see charging section).

C. HYBRID START BOOSTER

1. Connect the positive (red) clamp to the positive terminal.
2. Connect the negative (black) clamp to the frame of the vehicle (ground).
3. If you have a 12/24V unit, choose the voltage with the voltage selector switch or with the voltage connector plug 12V or 24V. If you have a 12V or 24V unit with ON/OFF switch, turn it ON.
4. Then start your engine and stay clear of the battery and the Start Booster while jump-starting. Make sure that it cannot fall inside the engine compartment.
5. Before removing the clamps, you can leave your unit connected to vehicle/alternator for 10-15 seconds maximum to allow the alternator to recharge your device.
6. Once started, first disconnect the negative clamp, then turn the voltage selection switch OFF.
7. Then disconnect the red (positive) clamp and store them directly.

Important: Should the vehicle refuse to start within 10 seconds, have your unit cool down for 3 minutes before the next attempt. If it still doesn't start, please have your car battery or engine checked. It may be that the car battery is defective and refuses to accept the current from the Booster.

5. SERVICE & MAINTENANCE

Each booster must be serviced at least once a year by an authorized service center or by Lemania Energy service. The most important is to always make sure that your Battery Start Booster or Hybrid Start Booster is always fully charged. Keeping your unit discharged will damage it and void the warranty. Please also only use the supplied battery charger to recharge it. Do not try to open the unit yourself. Have an authorized agent do it for you. Keeping your unit clean and stored at room temperature is best. Extreme temperatures will damage the batteries. When not in use for an extended period of time, always make sure it is fully charged at least once a month.

6. FREQUENTLY ASKED QUESTIONS

- Q. My Start Booster doesn't have power at the clamps.
A. Please check the On/Off switch, the 12/24V connector or that the Safety Fuse has not burst. It could be that the connector is not connected properly.
- Q. The Booster is not taking the charge.
A. Please check the fuse inside the charger or the tip of the charger. Please also check that the charger is working by checking its voltage output on the tip with a voltmeter.
- Q. Can a battery, charger or clamp be replaced?
A. Yes, anything on this Booster can be repaired or replaced.

7. WARRANTY INFORMATION

The warranty of this unit depends on the conditions granted by your retailer. The manufacturer shall have no liability whatsoever at any time for any warranty, personal injury or property damage. Transport is never included.

Please dispose of the packaging in a responsible manner. It should be recycled by your local amenity or placed in appropriate recycling bins. Never dispose of electrical equipment or batteries in your domestic waste. Have them recycled by your retailer or your local amenity.

1. INFORMATION GÉNÉRALES

Merci d'avoir choisi ce Start Booster produit à la main en Suisse. Cet outil a été conçu pour les professionnels uniquement. Notre but est de produire des Boosters de qualité avec lesquels vous pourrez travailler sans souci pour effectuer vos démarrages.

Veuillez lire entièrement et comprendre cette notice avant la première utilisation. Elle contient des informations de sécurité importantes. Veuillez aussi vous assurer que votre Booster est complètement chargé avant chaque utilisation. Veuillez aussi vous assurer d'utiliser uniquement le chargeur fourni.

Chaque technologie de Booster a ses propres caractéristiques. Veuillez-vous référer aux différentes sections qui suivent pour les Boosters avec batteries, ceux avec condensateurs et les modèles hybrides. Si, après avoir lu ce manuel, vous avez encore des questions, n'hésitez pas à contacter votre distributeur directement pour demander plus d'informations.

2. PRÉCAUTIONS DE SÉCURITÉ

Ce Start Booster a été développé pour des utilisateurs confirmés et entraînés, selon les normes valides lors de sa conception. Veuillez lire ce manuel entièrement et si quelque chose n'est pas clair ou conforme, veuillez contacter votre distributeur directement. Cet appareil peut être dangereux s'il n'est pas utilisé par un professionnel ou s'il est utilisé incorrectement. Le fabricant ne peut être tenu responsable pour une mauvaise utilisation et pour tout dégâts personnels et matériels engendrés. Veuillez suivre ces précautions pour plus de sécurité.



- Toujours porter de l'équipement de sécurité : Lunettes de sécurité; gants; casque pour les oreilles et habillement complet.

- N'utiliser que des accessoires/composants approuvés par le fabricant.

- Garder ce manuel avec le Booster.



- Toute modification ou réparation doit uniquement être effectuée par un centre de réparation agréé pour des raisons de sécurité.

- N'utiliser que le chargeur fourni avec le Booster.



- Les chargeurs endommagés ou défectueux doivent être remplacés immédiatement.

- Toujours utiliser cet appareil dans un endroit bien ventilé. Ne jamais utiliser dans une zone avec des produits inflammables ou des gaz.

- Ne jamais laisser ce Booster déchargé, cela va endommager la batterie et annuler la garantie du Booster.



- Eviter tout court-circuit et ne jamais connecter les pinces ensemble ou à une même partie métallique.

- Ne jamais immerger le Booster dans de l'eau, le brûler ou le jeter avec des déchets domestiques. Veuillez le faire recycler correctement.

- De l'équipement de sécurité, tel qu'un extincteur et de l'eau fraîche pour rincer les yeux doivent être à portée de main. Veuillez aussi vous assurer d'avoir quelqu'un d'autre à proximité en cas d'urgence.

- Enlever tout objet personnel, tel que bagues et bracelets par exemple lorsque vous travaillez près d'un moteur ou de batteries.



- Lire la notice du véhicule avant de le démarrer avec un Booster.
- Ces Start Boosters sont uniquement destinés à des véhicules avec batteries de démarrage au plomb, et non pour des véhicules électriques par exemple.
- Ne pas fumer ou utiliser toute source de flamme/étincelle près de batteries et ne pas porter de vinyle pour éviter toute étincelle.
- Garder l'appareil en position OFF (éteint/déconnecté) lorsqu'il n'est pas utilisé.
- Si ce Booster est tombé, est endommagé, ou qu'il a du liquide qui coule, veuillez-vous protéger pour le déplacer et le faire contrôler immédiatement.
- Cet appareil n'est pas prévu pour être utilisé par des personnes (y compris les enfants) dont les capacités physiques, sensorielles ou mentales sont réduites, ou des personnes dénuées d'expérience ou de connaissance, sauf si elles ont pu bénéficier, par l'intermédiaire d'une personne responsable de leur sécurité, d'une surveillance ou d'instructions préalables concernant l'utilisation de l'appareil.



- Il convient de surveiller les enfants pour s'assurer qu'ils ne jouent pas avec l'appareil.
- Remettre les pinces et câbles en place après chaque utilisation.
- L'acide et les gaz de batteries sont dangereux. Ne jamais y toucher ou inhaler.
- Faire attention lorsque l'on travaille près d'un moteur et ses parties qui bougent. Toujours contrôler le voltage du véhicule d'abord.
- Ne jamais recharger ou démarrer une batterie congelée (ou très froide). Cela peut être très dangereux.



- Recyclez cet appareil, sa batterie et son emballage correctement.
- Essayez de garder cet appareil à température ambiante (15-25°C). Ne jamais le laisser dehors, sous la pluie, dans le froid ou dans le chaud.

3. CARACTÉRISTIQUES

A. FUSIBLE

Si votre Start Booster est équipé d'un fusible de sécurité veuillez lire les informations suivantes : Les fusibles ont été introduits pour protéger votre véhicule et votre Booster contre les inversions de polarités. Si votre Start Booster n'a pas de fusible, vous avez toujours la possibilité de l'ajouter avec nos nouvelles pinces, si votre modèle le permet. Veuillez vous informer auprès de votre distributeur pour plus d'information.

Différents Types de Fusibles:

Il existe différentes capacités de fusibles : 300A – 500A – 1000A. Veuillez vérifier quel fusible a été installé dans votre Booster avant d'en commander un nouveau. Veuillez aussi uniquement utiliser des fusibles certifiés par le fabricant, sinon cela annulerait la garantie. Veuillez vous référer auprès de votre distributeur directement si vous avez besoin d'un nouveau fusible.

Emplacement du fusible:

Selon le modèle du Booster, le fusible peut être placé à différents endroits :

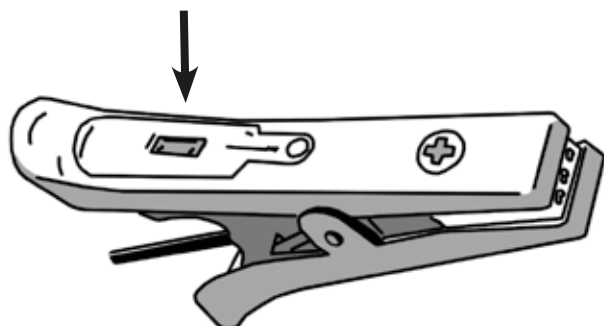
- Sur le Booster lui-même, soit à l'avant soit à l'arrière de l'appareil.
- À l'intérieur de la poignée de la pince positive (rouge).

Nos fusibles viennent avec une petite fenêtre pour voir si le fusible a besoin d'être changé ou pas. Selon le modèle que vous avez, vous pourriez avoir un fusible de rechange supplémentaire directement intégré dans l'unité elle-même (ou attaché au Booster) pour être en mesure de le changer si celui connecté a éclaté. Les fusibles sont très facile à changer. Ouvrez d'abord la fenêtre avec un tournevis (ou faites

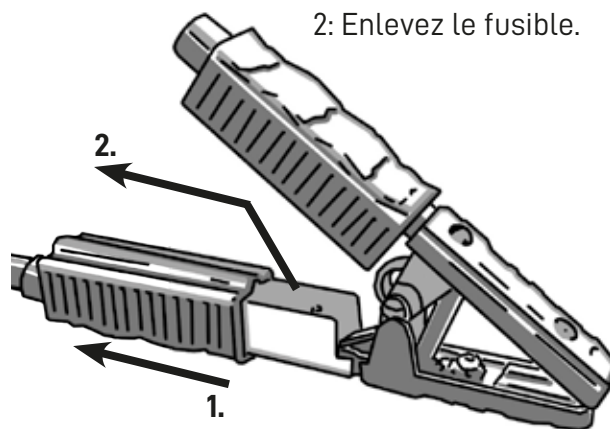
glisser la couverture de la poignée), puis enlevez les deux boulons qui retiennent le fusible. Veillez à ne pas enlever/desserrer les deux boulons derrière le fusible.

Ensuite, remplacer le fusible et serrer les deux boulons pour tenir le fusible. Veillez noter également que la taille du fusible peut varier selon qu'il s'agisse d'un fusible pour le Booster lui-même ou d'un fusible installé à l'intérieur de la pince.

Fusible sur la pince positive.



1: Retirez la poignée plastique.
2: Enlevez le fusible.



B. INTERUPTEUR ON/OFF

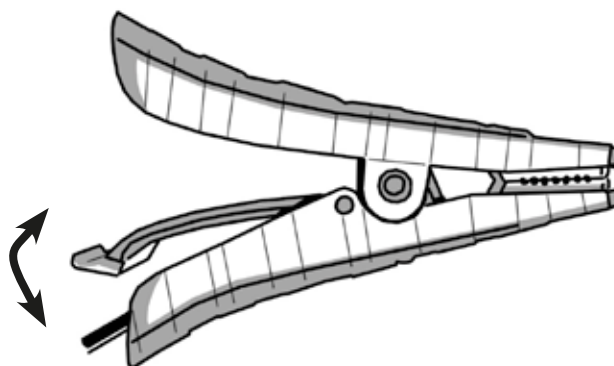
Si votre Start Booster est équipé d'un interrupteur ON/OFF, veuillez lire ce qui suit. Les différents types d'interrupteurs :

- Sur le Booster même.
- À l'intérieur de la poignée de la pince négative (noire).

Avec l'interrupteur qui se trouve sur le Booster, il suffit de l'éteindre en suivant les indications des autocollants sur le commutateur.

Avec celui qui se trouve à l'intérieur de la pince, il suffit de tirer le clip vers le haut (en direction de l'intérieur de la pince) pour le mettre en marche et vers le bas (extérieur de la pince) pour l'éteindre. Il y a aussi un signe gravé sur la poignée pour vous rappeler dans quel sens pousser. Vous pouvez également voir l'image ci-dessous. Veillez à ce que votre appareil soit éteint lorsqu'il n'est pas utilisé ou lorsque vous connectez vos pinces à votre véhicule ou à la batterie. Ne l'allumez que lorsque vous vous êtes assuré que les pinces sont correctement connectées. Une fois que le véhicule a démarré, veuillez retirer la pince négative d'abord, puis mettez votre interrupteur on/off sur la position OFF et seulement ensuite retirer la pince positive.

ON / OFF sur la pince :
- **UP** (Haut) position ON
- **DOWN** (Bas) position OFF



C. ALARME D'INVERSION DE POLARITÉ

L'alarme d'inversion de polarité, ou buzzer, émet un son et une lumière lorsqu'il détecte que les pinces ont été inversées sur la batterie.

Il ne fonctionne qu'avec un interrupteur ON/OFF sur le Booster ou un modèle 12/24V. Faites toujours en sorte que le Booster soit éteint ou déconnecté avant de l'utiliser. Branchez ensuite les pinces aux bornes

de la batterie du véhicule et à ce moment si l'alarme émet un bruit et une lumière cela signifie qu'il détecte une connexion de polarité inverse. Si les pinces sont correctement connectées, rien ne se passera. Dans ce cas, vous pouvez ensuite allumer votre appareil (ON) ou sélectionner le voltage approprié sur un modèle 12/24V avant d'essayer de démarrer de votre véhicule.

D. CONNECTEUR ET COMMUTATEUR 12/24V

Les modèles 12/24V sont équipés soit d'un interrupteur soit d'un connecteur rouge. Dans les deux cas, l'appareil peut être désactivé, soit en le plaçant au centre sur la position OFF, soit en débranchant le connecteur rouge (veuillez vous assurer de ne pas tirer sur les câbles mais uniquement sur la poignée du connecteur).

Avant de démarrer le véhicule, assurez-vous que les pinces soient correctement connectées. Pour sélectionner le voltage approprié, veuillez-vous référer à la batterie du véhicule (en lisant le manuel d'utilisation du véhicule). Pour sélectionner le voltage approprié, soit tournez l'interrupteur sur 12V ou 24V, soit branchez le connecteur rouge du côté du 12V ou du côté du 24V. Sélectionnez le bon voltage par rapport au véhicule. Il est important de connecter un même voltage par rapport au véhicule pour éviter d'endommager le véhicule ou le Booster et éviter toute explosion.

Ensuite, mettez le Booster en marche pour démarrer le véhicule. Une fois que le véhicule a démarré, enlevez d'abord la pince négative, puis éteignez le Booster, avant d'enlever la pince positive.

E. STATUT DE CHARGE

Différents modèles auront un affichage de charge différent. Ces voltmètres sont ici pour vous indiquer si votre Booster est bien chargé ou pas. Il existe différents types d'indicateurs de tension :

- **Voltmètre LED:** Composé de 5 lumières LED allant du rouge à l'orange au vert. Cette méthode est facile à comprendre si votre appareil est chargé ou non. Lorsque 4 voyants LED sont allumés, cela signifie que votre appareil est prêt à l'emploi. La 5^{me} lumière LED verte s'allume uniquement lorsque votre appareil est connecté à un chargeur (et que la charge est complète), ou lorsque votre appareil est connecté à un alternateur qui fonctionne. Après avoir démarré votre véhicule, laissez votre Booster connecté à l'alternateur pendant 10 secondes maximum. Si le 5^{me} voyant LED vert ne s'allume pas, cela signifie que votre alternateur ne fonctionne pas correctement.

- **Voltmètre numérique/analogique:** Ces deux voltmètres indiquent la tension du Booster. Si votre Booster est inférieur à 12,7 V, vous devez le recharger. Lorsque vous laissez votre Booster connecté sur le véhicule pendant 10 secondes maximum, le voltmètre doit lire la sortie de tension de l'alternateur, ce qui vous permettra de savoir si l'alternateur fonctionne correctement ou non. (un alternateur qui fonctionne donne un voltage de 14V en moyenne).

F. MÉTHODES DE CHARGE

Les boosters avec interrupteur 12V/24V ou connecteur rouge doivent être en position 12V pour se recharger.

Il existe différents types de chargeurs disponibles pour les Start Boosters.

Chargeurs automatiques :

Cette série est appelée la série LESA. Elle est disponibles en 12V ou 24V. Cette série est automatique, ce qui signifie qu'elle ne surchargera pas votre Booster.

Chargeur de voiture LESA1:

Ce cordon de charge est conçu uniquement pour les Start Boosters avec batterie. Il est destiné à recharger votre Booster à partir d'un port allume-cigare de votre véhicule tout en conduisant. Assurez-vous de le débrancher lorsque le véhicule n'est pas en marche, sinon il y a des risques que cela décharge votre batterie.

Chargeurs intelligents :

Il s'agit aussi d'une série complète de chargeurs allant de 6V, 12V à 24V. Lorsque le chargeur est branché au Booster avec la prise allume-cigare ou raccordé aux pinces directement, appuyer sur le mode de 'flocon de neige' (ou AGM) sur le chargeur pour commencer la charge. Assurez-vous que le voltage sélectionné soit le même par rapport au Booster ou batterie de véhicule.

Chargeurs pour Boosters avec Condensateurs :

Cette série est appelée Cap. Elle vient dans différentes capacités et est conçue pour notre ligne de Booster sans batterie. Lorsque le Booster a fini de charger, veuillez le débrancher du chargeur et ranger le chargeur. Autres méthodes pour recharger votre Booster avec Condensateurs:

Vous pouvez recharger votre Booster sans batterie en connectant ses pinces à une batterie 12V bien chargée. Selon la taille de la batterie, cela peut prendre quelques minutes environ pour recharger votre Booster.

Une autre façon de recharger un booster de démarrage de batterie serait de le laisser connecté pendant 10-15 secondes **maximum** au moteur/alternateur du véhicule après son démarrage. Le booster va se recharger immédiatement (veuillez retirer les pinces après 15 secondes max). Assurez-vous d'utiliser uniquement le chargeur fourni. L'utilisation d'un chargeur non autorisé annule la garantie et peut être dangereuse. Les batteries ou les condensateurs qui sont surchargés gonfleront et commenceront à produire des gaz, qui peuvent causer une explosion ou un incendie. C'est pourquoi nous recommandons uniquement l'utilisation du chargeur fourni et de le faire dans une zone bien aérée.

4. INSTRUCTIONS D'UTILISATION

Portez toujours de l'équipement de protection avant d'essayer de démarrer votre véhicule.

Assurez-vous que la zone soit bien aérée et que les bornes soient propres.

Assurez-vous également que votre Booster soit complètement chargé avant de tenter de démarrer le véhicule. Lisez la section de la notice du véhicule pour les démarrages.

Si vous avez un modèle 12/24V, assurez-vous que le sélecteur de tension est sur "OFF" ou que la fiche du connecteur rouge soit débranchée. Si vous avez une unité de 12V (ou 24V) avec un commutateur ON\ OFF, assurez-vous qu'il soit éteint (OFF). Assurez-vous aussi que les câbles ne soient pas dans le passage des pièces mobiles du moteur ou qu'ils n'encombrent aucun passage.

La borne de la batterie non reliée au châssis doit être connectée la première. L'autre connexion doit être effectuée sur le châssis loin de la batterie et de la canalisation de combustible. Après l'opération de charge, débrancher le chargeur de batterie du réseau puis retirer la connexion du châssis et enfin la connexion de la batterie, dans l'ordre indiqué.

Veuillez éteindre l'air conditionné, la radio et les lumières avant le démarrage.

A. START BOOSTER AVEC BATTERIES

1. Branchez la pince positive (rouge) à la borne positive.
2. Raccordez la pince négative (noire) au châssis du véhicule (masse).
3. Si vous avez un modèle 12/24V, choisissez le voltage avec le sélecteur de tension ou avec

le connecteur rouge. Si vous avez un Booster juste en 12V ou 24V avec interrupteur ON\OFF, allumez-le sur la position ON.

4. Assurez-vous que le Booster ne puisse pas tomber dans le moteur ou par terre. Ensuite démarrer votre véhicule en restant éloigné du Booster et de la batterie.
5. Une fois démarré, débranchez la pince négative (noire), puis placez le sélecteur de tension sur OFF; ou débranchez la prise rouge du connecteur.
6. Débranchez ensuite la pince rouge (positive).
7. Remettez immédiatement les deux pinces à leurs emplacements respectifs.
8. Rechargez le Booster avec le chargeur fourni.

Important : si le véhicule refuse de démarrer dans les 10 secondes, faire refroidir le Booster pendant 3 minutes avant la prochaine tentative. S'il ne démarre toujours pas, faire vérifier votre batterie de voiture ou moteur. Il se peut que la batterie de voiture soit défectueuse et ne soit pas en mesure de recevoir le courant du Booster.

Ce Booster de démarrage peut également être utilisé comme une source de courant en 12VDC. Par exemple, vous pouvez utiliser un câble 12V OBD, lorsque vous changez la batterie de votre voiture, ou des accessoires 12V que vous connectez à la prise du Booster. Veuillez toujours recharger le Booster après utilisation.

B. START BOOSTER AVEC CONDENSATEURS

1. Assurez-vous que l'appareil soit complètement chargé et éteint (ou que le sélecteur de tension pour les unités 12/24V soit déconnecté).
2. Branchez la pince positive (rouge) à la borne positive.
3. Raccordez la pince négative (noire) au châssis du véhicule (masse).
4. Si vous avez un modèle 12/24V, choisissez le voltage avec le connecteur rouge soit en 12V ou 24V. Si vous avez une unité qui n'est qu'en 12V ou 24V avec un interrupteur ON\OFF, mettez-le sur la position ON.
5. Assurez-vous que le Booster ne puisse pas tomber dans le moteur ou par terre. Ensuite démarrer votre véhicule en restant éloigné du Booster et de la batterie
6. Avant de retirer les pinces, vous pouvez laisser votre appareil sur le moteur/ alternateur 10-15 secondes maximum pour permettre à l'alternateur de recharger votre appareil.
7. Une fois terminé, débranchez d'abord la pince négative, puis placez le sélecteur de tension sur OFF au centre, ou débranchez uniquement le connecteur rouge.
8. Débranchez ensuite la pince rouge (positive) et ranger le directement.

Remarque : il est normal que votre Booster se décharge rapidement. Il sera également rechargé très rapidement si vous le connectez à une batterie par exemple (voir la section charge).

C. START BOOSTER HYBRIDE

1. Branchez la pince positive (rouge) à la borne positive.
2. Raccordez la pince négative (noire) au châssis du véhicule (masse).
3. Si vous avez un modèle 12/24V, choisissez la tension avec le sélecteur de tension ou avec le connecteur rouge. Si vous avez un Booster juste en 12V ou 24V avec interrupteur ON\OFF, allumez-le sur la position ON.
4. Assurez-vous que le Booster ne puisse pas tomber dans le moteur ou par terre. Ensuite démarrer votre véhicule en restant éloigné du Booster et de la batterie.
5. Avant de retirer les pinces, vous pouvez laisser votre appareil sur le moteur 10 sec. max.

pour permettre à l'alternateur de recharger votre Booster.

6. Une fois terminé, débranchez d'abord la pince négative, puis placez le sélecteur de tension sur OFF au centre, ou débranchez uniquement le connecteur rouge.
7. Débranchez ensuite la pince rouge (positive) et rangez-le directement.

Important : si le véhicule refuse de démarrer dans les 10 secondes, faire refroidir le Booster pendant 3 minutes avant la prochaine tentative. S'il ne démarre toujours pas, faire vérifier votre batterie de voiture ou moteur. Il se peut que la batterie de voiture soit défectueuse et ne soit pas en mesure de recevoir le courant du Booster.

5. SERVICE & ENTRETIEN

Chaque booster doit être entretenu au moins une fois par an par un centre de service agréé ou par le service Lemania Energy. Le plus important est de toujours s'assurer que votre Booster avec batterie ou Booster Hybride soit toujours entièrement chargé. Maintenir votre unité déchargée l'endommagera et annulera la garantie. Veuillez également n'utiliser que le chargeur fourni pour des mesures de sécurité. N'essayez pas d'ouvrir l'appareil vous-même, seul un agent autorisé peut le faire pour vous. Gardez votre appareil propre et entreposé à l'intérieur à température ambiante dans un endroit propre et sec. Des températures extrêmes (chaudes ou froides) endommageront les batteries. Lorsqu'il n'est pas utilisé pendant une période prolongée, assurez-vous toujours qu'il soit complètement chargé au moins une fois par mois.

6. QUESTIONS FRÉQUEMMENT POSÉES

- Q. Mon Booster de démarrage n'a pas de puissance aux pinces.
R. Vérifiez que l'interrupteur ON/OFF soit sur ON, ou que le connecteur 12/24V soit bien connecté. Vérifiez aussi que le fusible de sécurité n'ait pas éclaté.
- Q. Le Booster ne prend pas la charge.
R. Vérifier le fusible à l'intérieur du chargeur ou de son embout allume cigare. Vérifier aussi que le chargeur fonctionne correctement et qu'il y ait du voltage au bout du câble à l'aide d'un voltmètre.
- Q. Peut-on remplacer une batterie, un chargeur ou une pince ?
R. Oui, tout ce qui est sur ce Booster peut être réparé ou remplacé.

7. INFOMATION SUR LA GARANTIE

La garantie de cet appareil dépend des conditions de votre revendeur. Le fabricant n'a pas de responsabilité par rapport à cela, peu importe la date à laquelle vous l'avez acquis. Le fabricant n'aura aussi aucune responsabilité par rapport à une mauvaise utilisation, des dommages corporels ou matériels. Les problèmes liés au transport doivent être réglés directement avec le transporteur. Veuillez déposer l'emballage ou un produit endommagé dans un centre de recyclage. Ne jamais jeter des batteries ou produits électriques dans une poubelle commune. Veuillez les recycler ou les ramener à votre revendeur.

1. ALLGEMEINE INFORMATIONEN

Mit diesem Gerät haben Sie ein Qualitätsprodukt erworben, welches mit grösster Sorgfalt in der Schweiz hergestellt wurde. Es wird Ihnen bei richtiger Pflege während Jahren gute Dienste erweisen.

Vor der ersten Inbetriebnahme bitten wir Sie jedoch, die vorliegende Bedienungsanleitung gut durchzulesen und vor allem die Sicherheitshinweise genau zu beachten. Bitte achten Sie darauf, Ihr Booster nur mit mitgeliefertem Ladegerät aufzuladen.

Jede Booster-Technologie hat ihre eigenen Eigenschaften. Bitte beachten Sie die folgenden Abschnitte für Batterie-Booster, Capacitor-Booster und Hybrid-Booster.

Wenn Sie nach dem Durchlesen dieser Bedienungsanleitung eine Frage haben, zögern Sie bitte nicht, uns oder Ihren Händler direkt zu kontaktieren.

2. SICHERHEITSMASSNAHMEN

Bitte lesen Sie diese Hinweise aufmerksam durch, bevor Sie Ihr Gerät an das Netz anschliessen und in Betrieb nehmen. Sie enthalten wichtige Sicherheits- und Betriebshinweise.

Tragen Sie immer eine Sicherheitsausrüstung bestehend aus: Schutzbrille, Handschuhe, Ohrschutz und Schutzkleidung.



- Verwenden Sie nur Originalteile und Zubehör, das vom Hersteller empfohlen wird.
- Bewahren Sie diese Bedienungsanleitung immer in der Nähe des Gerätes auf.
- Modifikationen oder Änderungen an diesem Gerät sind untersagt.



- Reparaturen nur durch den Service durchführen lassen.
- Verwenden Sie nur die mitgelieferten, automatischen Ladegeräte. Beschädigte Ladegeräte oder Vorrichtungen müssen sofort repariert oder ausgetauscht werden.



- Verwenden Sie dieses Gerät immer in einem gut belüfteten Bereich. Niemals in explosionsgefährdeten Bereichen oder in der Nähe entzündlicher Bereiche verwenden.



- Gerät nie komplett entladen lassen, da der Akku sonst Schaden nimmt. Daher sicherstellen, dass der Akku immer vollständig aufgeladen ist, da sonst kein Garantieanspruch besteht.
- Vermeiden Sie unbedingt Kurzschlüsse und achten Sie darauf, dass sich die beiden Klammern nie berühren können, oder mit irgendeinem Metallteil gleichzeitig verbunden sind. Kurzschlussgefahr!
- Gerät oder Teile davon niemals in Wasser oder andere Flüssigkeiten eintauchen oder damit in Berührung kommen lassen. Gerät nie verbrennen oder in Hausmüll entsorgen. Defektes Gerät an Sammelstelle zur fachgerechten Entsorgung abgeben.
- Darauf achten, dass Sie immer Sicherheitsausrüstungen wie Feuerlöscher, Wasser, um die Augen auszuspülen, in der Nähe haben.
- Sicherstellen, dass im Falle eines Notfalls eine andere Person in der Nähe ist.
- Rauchen Sie nicht, verwenden Sie keine Feuerzeuge oder Zündhölzer in der Nähe von

Batterien.



- Bei der Benutzung des Gerätes keine synthetische Kleidung tragen, da dies elektrische Funken verursachen könnte.
- Entfernen Sie persönliche Metallgegenstände in der Nähe von Motoren und Batterien.
- Bevor Sie das Gerät verwenden, zuerst die Bedienungsanleitung des Fahrzeugs lesen. Dieses Gerät darf nur zum Starten von Blei Säure-Batterien verwendet werden. Es darf auf keinen Fall für Lithium oder handelsübliche Trockenzellen-Batterien verwendet werden.



- Blei kann bei Schwangerschaft gefährlich sein.
- Halten Sie dieses Gerät immer in der ausgeschalteten Position, wenn es nicht verwendet wird.
- Wenn dieses Produkt heruntergefallen oder beschädigt ist, oder gar Flüssigkeit ausfließt, sofort durch den Service überprüfen lassen.
- Befestigen Sie die Klemmen nach jedem Gebrauch wieder korrekt auf den Halterungen am Gerät.
- Säure und Batteriegas sind gefährlich. Niemals berühren oder einatmen.
- Bewegliche Teile können Verletzungen verursachen.
- Starten oder laden Sie niemals eine gefrorene Batterie. Dies ist sehr gefährlich!
- Vor dem Starten immer die Spannung der Fahrzeugbatterie überprüfen.
- Bitte recyceln Sie dieses Gerät, seine Batterie und Verpackung ordnungsgemäß.
- Gerät immer bei Raumtemperatur (15-25 °C) lagern.
- Gerät niemals für längere Zeit im Regen, in der Kälte oder bei warmen Temperaturen stehen lassen.



3. FUNKTIONEN

A. SICHERHEITSSICHERUNG

Wenn Ihr Start Booster mit einer Sicherheitssicherung ausgestattet ist, lesen Sie bitte Folgendes: Sicherungen wurden entwickelt, um Ihre Start-Booster und Fahrzeug gegen Re-verse Polaritäten zu schützen. Wenn Ihr Start Booster nicht bereits mit einer Sicherheitsvorrichtung ausgestattet ist, haben Sie noch die Möglichkeit, eine neue Art der Klemme mit einer eingebauten Sicherheitssicherung hinzuzufügen. Bitte wenden Sie sich direkt an Ihren Händler, um zu fragen, ob Ihr Gerät kompatibel ist.

Verschiedene Arten von Sicherungen:

Sicherungen existieren in verschiedenen Größen: 300A – 500A – 1000A. Bevor Sie eine neue bestellen, bitte überprüfen Sie, welche Sicherung in Ihrem Gerät installiert wurde. Sie können Ihren Händler fragen, ob Sie eine Sicherung ändern müssen. Bitte stellen Sie sicher, dass Sie nur eine empfohlene Sicherung verwenden. Bei Verwendung einer nicht zugelassenen Sicherung erlischt die Garantie.

Lage der Sicherungen:

Je nach Modell des Start Boosters kann die Sicherung an verschiedenen Stellen eingebaut werden:

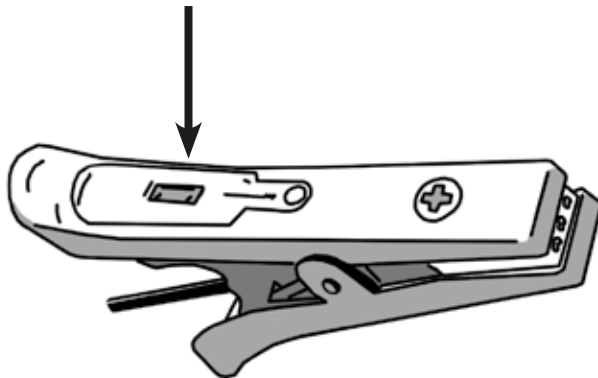
- Auf dem Booster selbst, entweder auf der Vorder- oder Rückseite des Gerätes.
- In dem Griff der positiven Klemme.

Unsere Sicherungen haben ein kleines Fenster, um zu sehen, ob die Sicherung geändert werden muss oder nicht. Manchmal, je nach den Funktionen, haben Sie möglicherweise eine zusätzliche Er-

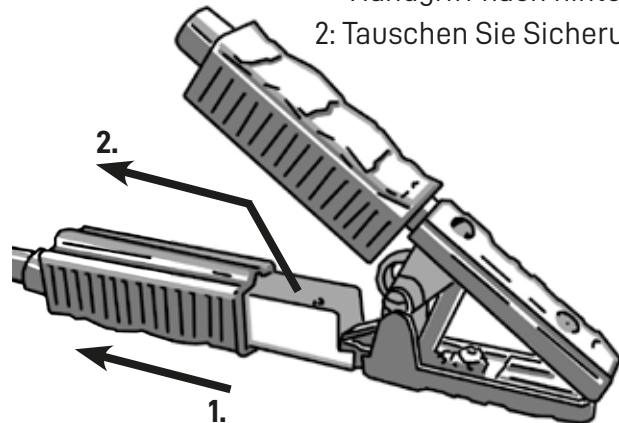
satzsicherung. Sicherungen sind sehr einfach zu ändern. Öffnen Sie zuerst das Fenster mit einem Schraubenzieher und entfernen

Sie dann die zwei Schrauben, die die Sicherung halten. Achten Sie darauf, die beiden Bolzen hinter der Sicherung nicht zu entfernen. Dann die Sicherung austauschen und die beiden Bolzen festziehen, um die Sicherung zu halten. Bitte beachten Sie auch, dass die physikalische Abmessung der Sicherung unterschiedlich ist, je nachdem, ob es sich um eine Sicherung des Boosters selbst oder um eine Sicherung handelt, die in der Klemme installiert ist.

Sicherung auf
der positiven Klemme:



1: Ziehen Sie plastischen
Handgriff nach hinten.
2: Tauschen Sie Sicherung.



B. EIN/AUS-SCHALTER

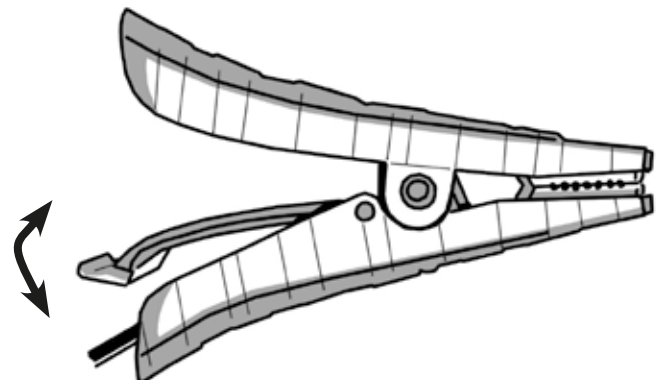
Wenn Ihr Start Booster mit einem ein/aus-Schalter ausgerüstet ist, Bitte lesen Sie die folgenden. Verschiedenen Arten von Schalter:

- Auf dem Booster selbst.
- Im Griff der negativen (schwarzen) Klemme.

Auf dem Gerät selbst, schalten Sie es bitte einfach aus oder ein, je nach den Etiketten auf dem Schalter. Schieben Sie den Clip in der Klemme nach oben, um ihn einzuschalten und nach unten zu ausschalten. Es ist ein Schild auf dem Griff als auch um Sie zu erinnern. Sehen Sie das Bild unten. Bitte lassen Sie Ihr Gerät ausgeschaltet, wenn es nicht benutzt wird oder wenn Sie Ihre Clips an Ihr Fahrzeug oder Ihren Akku anschließen. Schalten Sie es erst ein, nachdem Sie sichergestellt haben, dass die Klemmen ordnungsgemäß an das Fahrzeug angeschlossen sind. Sobald das Fahrzeug gestartet ist, entfernen Sie zuerst die negative Klemme, dann schalten Sie den ein/aus-Schalter aus und dann die positive Klemme.

Ein/aus Klemme auf negativen Klemmen:

UP-Position ist auf
DOWN-Position ist aus



C. VERPOLUNGSSCHUTZFUNKTION

Der Verpolungsschutz gibt einen Ton und Lichtsignal, wenn er eine umgekehrte Polarität erkennt. Zur

Sicherstellung der ordnungsgemäßen Verwendung schalten Sie bitte Ihren Booster aus oder trennen Sie ihn vor der Verwendung.

Verbinden Sie die Klemmen des Boosters mit dem Fahrzeug oder der Batterie des Fahrzeugs.

Nun ertönt das Ton- und Lichtsignal, wenn eine umgekehrte Polarität erkannt wurde.

Wenn die Klemmen richtig angeschlossen sind, gibt es kein Signal. Sie können nun die richtige Spannung auswählen bevor Sie das Fahrzeug anlassen.

D. 12/24V CONECTOR / SCHALTER

Die 12/24V-Modelle sind entweder mit einem Schalter oder einem roten Anschluss ausgestattet. In beiden Fällen kann das Gerät ausgeschaltet werden, indem der Schalter in der Mitte (Position aus) oder durch Ziehen des roten Steckers herausgezogen wird (Bitte achten Sie darauf, dass Sie nicht an den Kabeln, sondern nur am Anschluss Griff ziehen).

Um die richtige Spannung auszuwählen, sehen Sie sich bitte an die Batterie des Fahrzeugs (durchlesen der Bedienungsanleitung des Fahrzeugs selbst). Wenn Sie die Spannung sichergestellt haben, schalten Sie den Schalter entweder auf 12V oder 24V ein, oder stecken Sie den roten Stecker an der Seite des 12V oder der Seite des 24V. Es ist wichtig, die richtige Spannung zu wählen, um eine Beschädigung des Fahrzeugs oder des Boosters zu vermeiden und jede Explosion durch Überladung zu entleeren.

Vergewissern Sie sich vor dem Einschalten, dass die Klemmen ordnungsgemäß angeschlossen sind und keine umgekehrte Polarität vorhanden ist. Dann drehen Sie den Booster auf, um zu springen, Start des Fahrzeugs. Sobald das Fahrzeug gestartet ist, entfernen Sie zuerst die negative Klemme, dann schalten Sie den Verstärker aus und entfernen Sie dann die positive Klemme.

E. LADE STATUS

Verschiedene Modelle haben einen anderen Ladestatus. Diese Voltmeter sind hier, um Ihnen mitzuteilen, ob Ihr Start-Booster aufgeladen ist oder nicht. Es gibt verschiedene Arten von Spannungsindikatoren:

- **LED Voltmeter:** bestehend aus 5 LED-Leuchten, die von Rot nach Orange und grün gehen. Diese Methode ist leicht zu verstehen, ob Ihr Gerät aufgeladen ist oder nicht. Wenn 4 LED-Leuchten eingeschaltet sind, bedeutet dies, dass Ihr Gerät einsatzbereit ist. Die 5te Das LED-Licht schaltet sich nur ein, wenn das Gerät an ein Ladegerät angeschlossen ist und vollständig aufgeladen ist.

Nachdem Sie Ihr Fahrzeug gestartet haben, lassen Sie den Booster für maximale 10 Sekunden an den Generator angeschlossen. Wenn die 5te Grüne LED-Licht nicht einschalten, bedeutet dies, dass Ihr Generator nicht richtig funktioniert.

- **Digital/Analog Voltmeter:** Diese beiden Voltmeter geben nur die Spannung des Boosters an. Wenn Ihr Booster unter 12,7 v ist, müssen Sie ihn aufladen. Wenn Sie Ihren Booster am Fahrzeug für maximal 10 Sekunden angeschlossen lassen, sollte der Voltmeter den Spannungsausgang des Generators lesen und zeigt ob der Generator richtig arbeitet oder nicht. (ein funktionierender Generator hat eine Leistung von ungefähr 14V).

F. LADEMETHODEN

Booster mit einem 12V/24V-Schalter oder rotem Stecker müssen sich zum Aufladen in der 12V-Position befinden.

Es gibt verschiedene Arten von Ladegeräten für die Start-Booster:

Automatische Ladegeräte:

Diese Serie nennt man die Lesä-Serie. Es kommt in 12V oder 24V. Diese Serie ist vollautomatisch und kann nie Ihre Booster überladen.

LESA1 Auto Ladegerät:

Dieses Ladekabel ist nur für Start-Booster mit Batterien vorgesehen. Es ist gemeint, um Ihren Booster

aus der Zigarettenstecker Ihres Fahrzeugs während der Fahrt aufladen. Stellen Sie sicher, dass Sie die Verbindung trennen, wenn das Fahrzeug nicht eingeschaltet ist, um eine Entladung des Akkus zu vermeiden.

Smart Ladegeräte:

Es ist auch eine ganze Reihe von Ladegeräten in 6V, 12V und 24V. Wenn das Ladegerät in die Steckdose gesteckt und direkt an die Klemmen angeschlossen ist, drücken Sie den "Snow Flake"-Modus (AGM) an dem Ladegerät, um die Ladung zu starten. Achten Sie darauf, die richtige Spannung entsprechend dem Fahrzeug oder der Batterie auszuwählen.

Batterielos Start Booster Ladegeräte:

Diese Serie heißt Cap. Es kommt in verschiedenen Leistung Größen und ist für unsere Linie von batterielos Jump Starter entwickelt. Wenn das Gerät vollständig aufgeladen ist, entfernen Sie bitte das Ladegerät.

Andere Methoden, um Ihren Booster mit Kondensatoren aufzuladen:

Sie können Ihren batterielos Start Booster aufladen, indem Sie die Klemmen an eine gut geladene 12V Batterie anschließen. Je nach Größe des Akkus kann es bis zu ein paar Minuten dauern, bis der Booster aufgeladen ist.

Eine andere Möglichkeit, einen Kondensator Booster aufzuladen wäre ihn nach dem Start für maximal 10 bis 15 Sekunden an den Motor oder Generator des Fahrzeugs angeschlossen zu lassen. Der Generator wird es sofort aufladen. (Achten Sie darauf, die Klemmen nach max. 15 Sekunden zu entfernen.)

Stellen Sie sicher, dass Sie nur das mitgelieferte Ladegerät verwenden. Laden mit einem nicht autorisierten Ladegerät erlischt die Garantie und kann gefährlich sein. Batterien oder Kondensatoren, die übergeladen werden, werden aufgeblasen und beginnen mit dem Gas Produktion, die zu einem Brand oder einer Explosion führen können. Deshalb empfehlen wir, das mitgelieferte Ladegerät nur in einem gut belüfteten Bereich zu verwenden.

4. BEDIENUNGSANLEITUNG

Tragen Sie immer Sicherheitsausrüstung, bevor Sie versuchen, Ihr Fahrzeug zu starten. Vergewissern Sie sich, dass der Bereich gut belüftet ist und die Batterie Anschlüsse sauber sind.

Stellen Sie auch sicher, dass Ihr Gerät vollständig aufgeladen ist, bevor Sie versuchen, Start zu machen. Wenn Sie ein 12/24V Booster haben, stellen Sie sicher, dass der Spannungswahlschalter auf "aus" steht oder dass der Stecker des roten Spannungs Steckers ausgesteckt ist. Wenn Sie ein 12V (oder 24V) Gerät mit ein off/on Schalter haben, stellen Sie sicher, dass der Schalter ausgeschaltet ist. Bitte achten Sie auch darauf, dass sich die Kabel nicht in beweglichen Teilen des Fahrzeugmotors befinden. Bitte schalten Sie vor dem Start die Klimaanlage, das Radio und die Lichter aus.

A. Batterie Start Booster

1. Schliessen Sie die positive Klemme (rot) an den Pluspol an.
2. Verbinden Sie die negative (schwarze) Klemme mit dem Rahmen des Fahrzeugs (Masse).
3. Wenn Sie ein 12/24V Gerät haben, wählen Sie die Spannung mit dem spannungswahlschalter oder mit dem Spannungsanschlussstecker 12V oder 24V. Wenn Sie eine 12V-oder 24V Gerät mit ein/Aus-Schalter, schalten Sie ihn auf die Position ein.
4. Stellen Sie sicher, dass der Booster nicht in den Motor oder auf den Boden fallen kann.
5. Einmal gestartet, trennen Sie zuerst die schwarzen negative) Klemme ab, dann Ort der Spannungswahlschalter Aus; oder ziehen Sie der Spannungsanschlussstecker der 12/24V-Booster.

6. Ziehen Sie dann die rote (positive) Klemme ab.
7. Beide Klemmen sofort in der jeweiligen Platzierung aufbewahren.
8. Aufladen der Start Booster mit dem mitgelieferten automatischen Ladegerät.

Wichtig: sollte das Fahrzeug innerhalb von 10 Sekunden nicht starten, lassen Sie den Start Booster 3 Minuten vor dem nächsten Versuch abkühlen. Wenn es immer noch nicht startet, lassen Sie Ihre Auto-Batterie oder Motor überprüfen. Es kann sein, dass die Autobatterie defekt ist und nicht in der Lage ist den Booster Strom zu empfangen.

Dieser Start Booster kann auch als 12V DC Stromquelle verwendet werden. Zum Beispiel können Sie Start Booster mit 12V OBD Kabel verwenden, wenn Sie die Batterie Ihres Autos wechseln. Bitte Laden Sie den Booster nach Gebrauch immer wieder auf.

B. BATTERIELOS START BOOSTER CAP

1. Stellen Sie sicher, dass das Gerät vollständig aufgeladen und ausgeschaltet ist (oder dass der Spannungswähler bei 12/24V Geräten getrennt ist).
2. Verbinden Sie die positive (rote) Klemme mit der positiven Batterie Pole.
3. Verbinden Sie die negative (schwarze) Klemme mit dem Rahmen des Fahrzeugs (Masse).
4. Wenn Sie eine 12/24V Gerät haben, wählen Sie die Spannung mit dem Spannungswahlschalter oder mit dem Spannungsanschlussstecker 12V oder 24V. Wenn Sie eine 12V oder 24V Gerät mit off/on Schalter haben, schalten Sie ihn ein.
5. Stellen Sie sicher, dass der Booster nicht in den Motor oder auf den Boden fallen kann. Starten sie dann Ihr Fahrzeug und bleiben Sie vom Booster und der Batterie entfernt.
6. Bevor Sie die Klemmen entfernen, können Sie Ihr Gerät am Motor/Generator 10-15 Sekunden maximale lassen, damit der Generator das Gerät aufladen kann.
7. Trennen Sie zuerst die Negative Klemme ab und dann der Spannungswahlschalter Aus; oder ziehen Sie der Spannungsanschlussstecker der 12/24V-Einheit.
8. Dann trennen Sie die rote positive Klemme ab.

Anmerkung: Es ist normal, dass Ihr Booster schnell entladen erhält. Es wird auch sehr schnell aufgeladen werden, wenn Sie es an einen Akku direkt anschließen (siehe Lade Abschnitt).

C. HYBRID START BOOSTER

1. Verbinden Sie die positive (rote) Klemme mit der positiven Batterie Polen.
2. Verbinden Sie die negative (schwarze) Klemme mit dem Rahmen des Fahrzeugs (Masse).
3. Wenn Sie eine 12/24V Booster haben, wählen Sie die Spannung mit dem spannungswahlschalter oder mit dem Spannungsanschlussstecker 12V oder 24V. Wenn Sie eine 12V oder 24V Booster mit ein/Aus-Schalter, schalten Sie ihn ein.
4. Stellen Sie sicher, dass der Booster nicht in den Motor oder auf den Boden fallen kann. Starten sie dann Ihr Fahrzeug und bleiben Sie vom Booster und der Batterie entfernt.
5. Bevor Sie die Klemmen entfernen, können Sie Ihr Gerät am Motor/Generator 10 Sekunden maximale lassen, damit der Generator das Gerät aufladen kann.
6. Einmal gestartet, trennen Sie erst die negative Klemme ab, dann der spannungswahlschalter aus; oder ziehen Sie der Spannungsanschlussstecker der 12/24V Gerätes.
7. Trennen Sie dann die rote (positive) Klemme.

5. SERVICE UND WARTUNG

Jeder Booster muss mindestens einmal pro Jahr von einem autorisierten Service oder dem Lemania Energy Service gewartet werden. Das wichtigste ist, immer sicher zustellen, dass Ihre Batterie Start Booster oder Hybrid-Start-Booster immer voll aufgeladen ist.

Halten Sie Ihr Gerät entladen würde es zu beschädigen und die Garantie erlischt. Bitte benutzen Sie das mit gelieferte Ladegerät auch nur zum Aufladen. Versuchen Sie nicht, das Gerät selbst zu öffnen. Die bevollmächtigten Agenten tun das für Sie. Halten Sie Ihr Gerät sauber und Lagern Sie Ihn bei Raumtemperatur. Extreme Temperaturen werden die Batterien beschädigen. Die Booster die längere Zeit nicht benutzt sind, sollten mindestens einmal im Monat vollständig aufgeladen werden.

6. HÄUFIG GESTELLTE FRAGEN

F. Mein Start Booster hat keine Leistung an die Klemmen.

A. Bitte überprüfen Sie den ein/aus-Schalter, den 12/24V-Anschluss oder die Sicherheit Sicherung. Es kann sein, dass der Stecker nicht richtig angeschlossen ist oder die Sicherung geplatzt ist.

F. Der Booster lädt sich nicht.

A. Überprüfen Sie die Sicherung im Ladegerät oder in der Spitze des Ladegeräts. Überprüfen Sie bitte auch, ob das Ladegerät funktioniert, indem Sie den Spannungsausgang an der Spitze mit einem Voltmeter prüfen.

F. Kann eine Batterie, ein Ladegerät oder eine Klemme ausgetauscht werden?

A. Ja, alles auf diesem Booster kann repariert oder ersetzt werden.

7. GARANTIEINFORMATIONEN

Die Garantie dieses Gerätes hängt von den Bedingungen Ihres Fachhändlers ab. Der Hersteller haftet jederzeit für Garantie, Personen oder Sachschäden. Transport ist nie inbegriffen. Bitte entsorgen Sie die Verpackung in verantwortungsvoller Weise. Es sollte von Ihrem lokalen Annehmlichkeit recycelt werden oder in geeigneten Recycling-Behälter platziert. Entsorgen Sie niemals elektrische Geräte oder Batterien in Ihrem Hausmüll. Lassen Sie sie recycelt von Ihrem Händler oder Ihrer lokalen Lizenz recyceln.

1. INFORMAZIONI GENERALI

Grazie per aver acquistato questo Start Booster artigianale prodotto in Svizzera. Questo dispositivo è stato progettato per un utilizzo solo professionale. Il nostro obiettivo è quello di fornire Start Booster di qualità per i professionisti che dipendono dal loro funzionamento per svolgere il lavoro.

Assicurarsi che l'utente di questo Start Booster abbia letto e compreso questo manuale d'uso prima del primo utilizzo. Il manuale contiene importanti istruzioni di sicurezza. Assicurarsi di ricaricare completamente lo Start Booster prima ogni tentativo iniziale di avvio. Assicurarsi di utilizzare solo i caricabatterie in dotazione.

A seconda del tipo di Jump Starter che avete, fate riferimento alla sezione appropriata di questo manuale per precauzioni specifiche. Abbiamo sviluppato varie tecnologie di Booster per avviare i veicoli e ognuno ha proprie specifiche relative.

In caso di domande dopo aver letto questo manuale, non esiti a contattarci direttamente o contatti il Suo distributore per ulteriori informazioni.

2. PRECAUZIONI DI SICUREZZA

Questo dispositivo è stato progettato per i professionisti qualificati e secondo le normative valide in quel momento. È sicuro da utilizzare, ma si prega di leggere e capire questo manuale utente prima di utilizzare il prodotto. Può essere pericoloso se è utilizzato da personale non qualificato o se utilizzato in modo scorretto. Il produttore non può essere ritenuto responsabile per un uso scorretto di questo dispositivo. Si prega di attenersi alla seguente procedura per la massima sicurezza:

- Indossare sempre dispositivi di protezione individuale: occhiali, guanti, cuffie o tappi antirumore e abbigliamento appropriato.

-Utilizzare solo accessori o allegati approvati dal costruttore.

-Tenere sempre questo manuale vicino al dispositivo.

-Modifiche o alterazioni a questo dispositivo sono vietate.

-Riparazioni e servizi possono essere eseguiti solo da un centro autorizzato ufficiale.

-Utilizzare esclusivamente carica batterie automatici o intelligenti in dotazione.

-I carica batterie o i dispositivi danneggiati devono essere immediatamente riparati o sostituiti.

-Utilizzare sempre questo dispositivo in un'area ben ventilata. Non utilizzare mai in zone potenzialmente esplosive o in prossimità di aree infiammabili.

-Non lasciare mai il Booster di avviamento scarico. Assicurarsi sempre che sia completamente carico, altrimenti si potrebbe invalidare la garanzia.

-Evitare cortocircuiti e non lasciare mai che le pinze si tocchino, o che tocchino qualsiasi parte metallica allo stesso tempo.

-Non immergere mai in acqua, bruciare o gettare nei rifiuti domestici.

-Le apparecchiature di sicurezza, come estintore o dell'acqua per sciacquare gli occhi, dovrebbero essere sempre vicine. Assicurarsi anche che qualcun altro sia nelle vicinanze in caso di emergenza.

-Non fumare, usare un accendino o fiammiferi vicino alle batterie. Inoltre, non indossare abiti in vinile quando si utilizza questo dispositivo, perché potrebbe creare scintille elettriche.

-Rimuovere gli oggetti metallici personali quando si lavora vicino a motori e alle batterie.

-Leggere sempre il manuale d'uso del veicolo prima di tentare di avviarlo.



-Questo dispositivo è destinato solo ad avviare le batterie al piombo, e non al litio o batterie a secco che potrebbero trovarsi per esempio in alcuni elettrodomestici. Il piombo può essere pericoloso per la gravidanza.

-Il dispositivo non deve essere utilizzato da bambini o lasciato incustodito.

-Tenere sempre questo dispositivo in posizione OFF (o scollegato) quando non viene utilizzato.

-Se il dispositivo è caduto, è danneggiato o perde, si prega di farlo controllare subito da personale autorizzato.

-Fissare sempre le pinze correttamente sull'apparecchio dopo ogni utilizzo.

-L'acido e i gas delle batterie possono essere pericolosi, non toccarli/inalarli.

-Fare attenzione quando si opera all'interno di motori. Le parti in movimento possono causare lesioni.

-Non avviare o ricaricare una batteria congelata (molto fredda). Potrebbe essere molto pericoloso.

-Controllare sempre la tensione della batteria del veicolo prima di tentare di avviarla.

-Si prega di riciclare il dispositivo, la batteria e la confezione correttamente.

-Conservare sempre l'apparecchio a temperatura ambiente (15-25 ° c) quando immagazzinato. Non lasciare mai per un periodo di tempo prolungato sotto la pioggia, al freddo oppure a temperature calde.



3. CARATTERISTICHE

A. FUSIBILE DI SICUREZZA

Se il vostro Start Booster è dotato di un fusibile di sicurezza, leggete quanto segue: i fusibili sono stati sviluppati per proteggere il vostro Start Booster e il veicolo contro l'inversione di polarità. Se il vostro Jump Starter non è già dotato di una sicurezza, avete ancora la possibilità di aggiungere un nuovo tipo di pinza con un fusibile di sicurezza incorporato. Si prega di contattare direttamente il distributore per chiedere se il dispositivo è compatibile.

Diversi tipi di fusibili:

I fusibili esistono in vari formati: 300A – 500A – 1000A. Si prega di controllare quale fusibile è stato installato nel dispositivo prima di ordinarne uno nuovo. Potete chiedere al vostro distributore se avete bisogno di cambiare un fusibile. Assicurarvi di utilizzare solo un fusibile consigliato. L'utilizzo di un fusibile non omologato invalida la garanzia.

Posizioni dei fusibili:

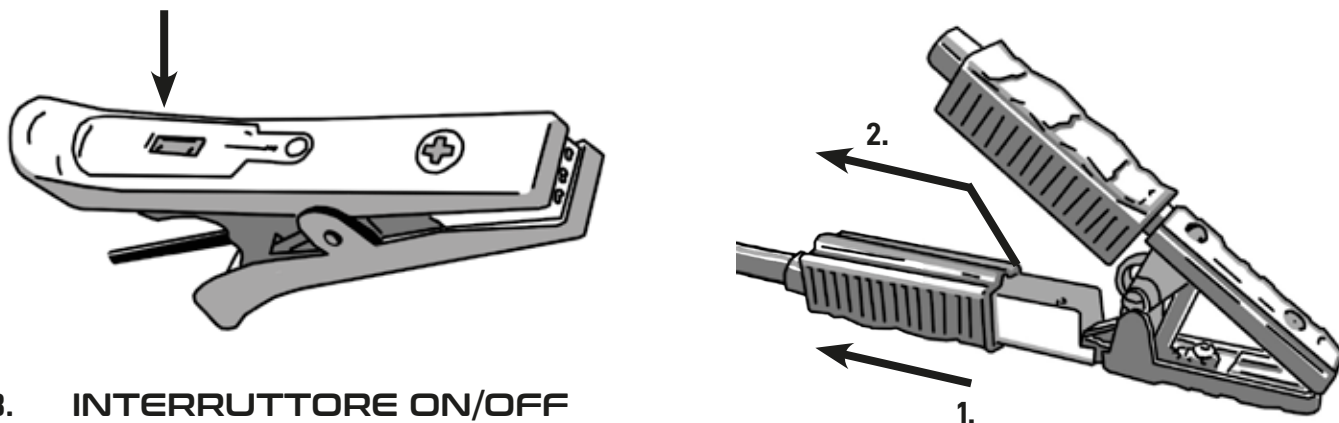
A seconda del modello di Start Booster, il fusibile può essere posizionato in vari punti:

- Sul Booster stesso, sia sul fronte o sul retro dell'unità.
- All'interno della pinza positiva.

I nostri fusibili sono dotati di una piccola finestra per vedere se il fusibile è rotto o no. A volte, a seconda delle caratteristiche, si potrebbe avere un fusibile supplementare di ricambio direttamente incorporato nell'unità stessa per essere in grado di cambiarlo se quello collegato è scoppiato. I fusibili sono molto facili da cambiare. Prima aprire la finestra con un cacciavite e poi rimuovere i due bulloni che tengono il fusibile. Fare attenzione a non rimuovere i due bulloni dietro il fusibile. Quindi sostituire il fusibile e serra-

re i due bulloni per fissarlo. Si prega inoltre di notare che la dimensione fisica del fusibile varia, a seconda se si tratta di un fusibile per il Booster stesso o di un fusibile che è installato all'interno della pinza.

Fusibile sul morsetto positivo:



B. INTERRUTTORE ON/OFF

Se il Booster Start è dotato di un interruttore on/off, si prega di leggere quanto segue:

Diversi tipi di interruttori:

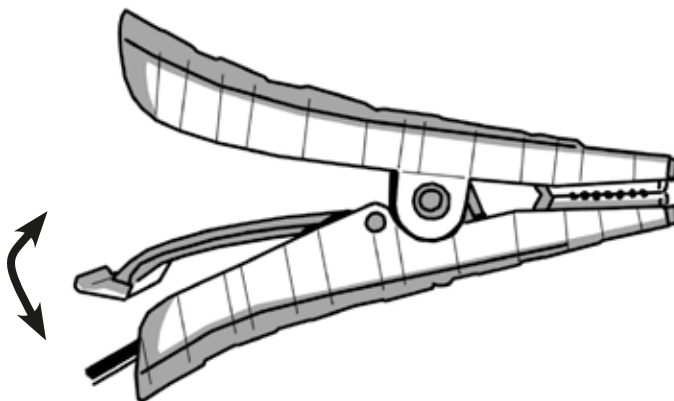
- Sul Booster stesso.
- All'interno della maniglia della pinza negativa (nero).

Sull'unità stessa: basta spegnerlo o accenderlo in base alle indicazioni dell'interruttore.

All'interno della pinza: spingere verso l'alto la clip per accendere e verso il basso per spegnere. C'è un avviso sul manico per ricordarvelo. Guardate l'immagine sotto. Lasciare sempre il dispositivo spento quando non in uso o quando si collegano le pinze al veicolo o alla batteria. Accenderlo solo dopo aver accertato che le pinze siano correttamente collegate al veicolo. Una volta che il veicolo è avviato si prega di rimuovere prima la pinza negativa, quindi posizionare l'interruttore su OFF e poi staccare la pinza positiva.

ON/OFF Clip sulla pinza negativa

Posizione su = ON
Posizione giù = OFF



C. ALLARME DI POLARITÀ INVERSA

L'allarme di polarità inversa, o buzzer, emetterà un suono e una luce quando rileva una polarità inversa. Può funzionare solo con un interruttore on/off posto sul Booster o su un modello a 12/24V. Per assicurarsi che sia utilizzato correttamente, il Booster deve essere spento o scollegato prima dell'uso. Quindi collegare le pinze ai terminali del veicolo o alla batteria e in questo momento l'allarme emetterà rumore e luce se rileva una connessione di polarità inversa. Se le pinze sono correttamente collegate, non succederà nulla. In questo caso, è possibile accendere l'unità, oppure selezionare la tensione corretta su un modello a 12/24V prima di iniziare l'avvio del veicolo.

D. 12/24V CONNETTORE / INTERRUETTORE

I modelli 12/24V sono dotati di interruttore o connettore rosso. In entrambi i casi l'unità può essere spenta, posizionando l'interruttore al centro (posizione OFF), oppure estraendo il connettore rosso (assicurarsi di non tirare i cavi ma tirare solo sull'impugnatura del connettore).

Quindi per selezionare la tensione corretta, si prega di fare riferimento alla batteria del veicolo (leggendo il manuale d'uso del veicolo stesso). Una volta che siete sicuri della tensione, o accendete l'interruttore su 12V o su 24V, o inserite il connettore rosso dal lato del 12V o del lato del 24V. È importante selezionare la tensione corretta per evitare di danneggiare il veicolo, o il Booster e per prevenire qualsiasi esplosione dovuta a sovraccarica.

Prima di accenderlo, assicurarsi che le pinze siano correttamente collegate e che non vi sia una polarità inversa. Poi accende il Booster per avviare il veicolo. Una volta che il veicolo è avviato, si prega di rimuovere prima la pinza negativa, quindi spegnere il Booster e poi rimuovere la pinza positiva.

E. STATO DELLA CARICA

Ogni modello di Booster ha il suo indicatore di carica. Questi voltmetri servono per farvi sapere se il vostro Start Booster è carico o meno. Ci sono diversi tipi di indicatori di tensione:

- **Voltmetro LED:** composto da 5 luci LED che vanno dal rosso all'arancio al verde. Con questo metodo è facile capire se la vostra unità è carica o meno. Quando si accendono 4 LED, significa che l'unità è pronta per l'uso. Il quinto LED si accende solo quando il dispositivo è collegato ad un caricabatterie (ed è completamente carico), o quando il dispositivo è collegato ad un alternatore in funzione che produce tensione. Dopo aver avviato il veicolo, lasciare il Booster collegato all'alternatore per 10 secondi massimo. Se il quinto LED verde non si accende, significa che il vostro alternatore non funziona correttamente.

- **Voltmetro digitale/analogico:** Questi due voltmetri indicheranno solo la tensione del Booster. Se la tensione del Booster è inferiore a 12,8V, è necessario ricaricarlo. Quando si lascia il Booster collegato sul veicolo per 10 secondi massimo, il voltmetro dovrebbe leggere la tensione di uscita dell'alternatore, che vi permetterà di sapere se l'alternatore funziona correttamente o meno. (Un alternatore che funziona correttamente produce circa 14V).

F. METODI DI RICARICA

I booster con interruttore 12V/24V o connettore rosso devono trovarsi nella posizione 12V per essere ricaricati.

Ci sono diversi tipi di caricabatterie disponibili per i Start Booster:

Caricabatterie automatici:

Questa serie è chiamata la serie "LESA". È disponibile in 12V o 24V. Questa serie è completamente automatica, il che significa che non sovraccarica il vostro Booster.

LESA1 caricabatteria da auto:

Questo cavo di ricarica è stato progettato solo per i booster di avviamento con batterie. È destinato a ricaricare il vostro Booster dalla presa accendisigari del vostro veicolo durante la guida. Assicurarsi di scollegarlo quando il veicolo non è acceso, per evitare di scaricare la batteria del veicolo.

Caricabatterie intelligenti:

È una serie completa di caricabatterie in 6V, 12V e 24V. Quando il caricabatterie è collegato all'interno della presa accendisigari o collegata direttamente ai morsetti, premere il tasto "fiocco di neve" (AGM) sul caricabatterie per avviare la carica. Assicurarsi di selezionare la tensione corretta a seconda del veicolo o della batteria.

Start Booster 12/24V:

Se si dispone di un'unità 12/24V, inserire il connettore rosso nella presa 12V e quindi inserire la spinotto accendi sigari nel Booster.

Start Booster senza batteria (a condensatori):

Questa serie si chiama Cap. È disponibile in varie dimensioni ed è stato progettato per la nostra linea di Jump starter senza batteria. Quando l'unità è completamente carica, rimuovere il caricabatterie e non tenerla in carica.

Altri metodi per ricaricare il tuo booster senza batteria (a condensatori):

È possibile ricaricare il Booster senza batteria (a condensatori) collegando i suoi morsetti ad una buona batteria 12V ben caricata. A seconda delle dimensioni della batteria, il processo di carica può durare fino a pochi minuti per ricaricare completamente il vostro Booster.

Un altro modo per ricaricare un Booster senza batteria (a condensatori) sarebbe quello di lasciare collegato il Booster per 10-15 secondi **massimo** al motore/alternatore del veicolo dopo che questo è stato avviato. L'alternatore lo ricaricherà immediatamente. (assicurarsi di rimuovere le pinze dopo 15 secondi max.) Assicurarsi di utilizzare solo il caricabatterie in dotazione. L'utilizzo di un caricabatterie non autorizzato invalida la garanzia e può essere pericoloso. Le batterie o i condensatori sovraccaricati si gonfiano e iniziano a produrre gas che possono provocare incendi o esplosioni. Questo è il motivo per cui si consiglia solo di utilizzare il caricabatterie in dotazione in una zona ben ventilata.

4. ISTRUZIONI PER L'USO

Indossare sempre l'equipaggiamento di sicurezza prima di provare ad avviare il veicolo. Assicurarsi che la zona sia ben ventilata e che i morsetti siano puliti.

Assicurarsi inoltre che l'unità sia completamente carica prima di tentare di avviare il veicolo. Se si dispone di un'unità 12/24V, assicurarsi che il selettore di tensione sia posizionato su "OFF" o che il connettore di tensione rosso sia scollegato. Se si dispone di un'unità 12V (o 24V) con interruttore ON/OFF, assicurarsi che sia spento. Assicurarsi inoltre che i cavi non intralcino o tocchino parti mobili del motore del veicolo.

Si prega di spegnere l'aria condizionata, la radio e le luci prima dell'avvio del veicolo.

A. START BOOSTER A BATTERIA

1. Collegare la pinza positiva (rosso) al morsetto positivo.
2. Collegare la pinza negativa (nero) al telaio del veicolo (massa).
3. Se si dispone di un'unità 12/24V, scegliere la tensione con il selettore di tensione o con il connettore rosso di tensione 12V o 24V. Se si dispone di un'unità 12V o 24V con interruttore ON/OFF, posizionarlo su ON.
4. Avviare il motore stando lontani dal Star Booster e dalla batteria del veicolo mentre si esegue l'avvio. Assicurarsi che il Booster non possa cadere nel vano motore durante l'utilizzo.
5. Una volta avviato il motore, prima scollegare la pinza nera (negativo), poi porre il selettore di tensione su OFF; o scollegare la spina rossa del connettore di tensione dall'unità 12/24V.
6. Quindi scollegare la pinza rossa (positivo).
7. Riporre immediatamente entrambe le pinze nel loro rispettivo posizionamento.
8. Ricaricare il Jump Starter con il caricabatterie automatico in dotazione.

Importante: nel caso in cui il veicolo si rifiuti di avviarsi entro 10 secondi, far raffreddare il Booster Start per 3 minuti prima del successivo tentativo. Se ancora non si avvia, controllare la batteria dell'auto o il motore. Può essere che la batteria dell'automobile sia difettosa.

Questo Start Booster può anche essere utilizzato come alimentatore. Ad esempio, si può collegare un OBD 12V memory saver o delle luci led 12V che si possono collegare alla presa del Booster. Si prega di ricaricare sempre lo Start Booster dopo l'uso.

B. BOOSTER SENZA BATTERIA

1. Assicurarsi che l'unità sia completamente carica e spenta (o che il selettore di tensione per le unità 12/24V sia scollegato).
2. Collegare la pinza positiva (rosso) al morsetto positivo.
3. Collegare la pinza negativa (nero) al telaio del veicolo (massa).
4. Se si dispone di un'unità 12/24V, scegliere la tensione con il selettore di tensione o con il connettore rosso di tensione 12V o 24V. Se si dispone di un'unità 12V o 24V con interruttore ON/OFF, posizionarlo su ON.
5. Avviare il motore stando lontani dal Star Booster e dalla batteria del veicolo mentre si esegue l'avvio. Assicurarsi che il Booster non possa cadere nel vano motore durante l'utilizzo.
6. Prima di rimuovere le pinze, è possibile lasciare l'unità sulla batteria/alternatore per 10-15 secondi massimo per consentire all'alternatore di ricaricare il booster.
7. Una volta avviato il motore, prima scollegare la pinza nera (negativo), poi porre il selettore di tensione su OFF; o scollegare la spina rossa del connettore di tensione dall'unità 12/24V.
8. Quindi scollegare la pinza rossa (positivo).

Nota: è normale che il Booster venga scaricato rapidamente. Sarà anche ricaricato molto rapidamente se lo si collega direttamente ad una batteria (vedere la sezione ricarica).

C. START BOOSTER IBRIDO

1. Collegare la pinza positiva (rosso) al morsetto positivo.
2. Collegare la pinza negativa (nero) al telaio del veicolo (massa).
3. Se si dispone di un'unità 12/24V, scegliere la tensione con il selettore di tensione o con il connettore rosso di tensione 12V o 24V. Se si dispone di un'unità 12V o 24V con interruttore ON/OFF, posizionarlo su ON.
4. Avviare il motore stando lontani dal Star Booster e dalla batteria del veicolo mentre si esegue l'avvio. Assicurarsi che il Booster non possa cadere nel vano motore durante l'utilizzo.
5. Prima di rimuovere le pinze, è possibile lasciare l'unità sulla batteria/alternatore per 10 secondi massimo per consentire all'alternatore di ricaricare il booster.
6. Una volta avviato il motore, prima scollegare la pinza nera (negativo), poi porre il selettore di tensione su OFF; o scollegare la spina rossa del connettore di tensione dall'unità 12/24V.
7. Quindi scollegare la pinza rossa (positivo).

Importante: nel caso in cui il veicolo si rifiuti di avviarsi entro 10 secondi, far raffreddare il Booster Start per 3 minuti prima del successivo tentativo. Se ancora non si avvia, controllare la batteria dell'auto o il motore. Può essere che la batteria dell'automobile sia difettosa.

5. SERVIZIO E MANUTENZIONE

Ogni booster deve essere revisionato almeno una volta all'anno da un centro di assistenza autorizzato o da Lemania Energy. Assicurarsi sempre che la batteria dello Start Booster o dello Start Booster ibrido sia sempre completamente carica. Mantenere il Booster scarico potrebbe danneggiarlo e annullare la garanzia. Si prega inoltre di utilizzare il caricabatterie in dotazione per ricaricarlo. Non provare ad aprire manualmente l'unità. Far eseguire qualsiasi intervento di manutenzione a personale autorizzato. Mantene il Booster pulito e riposto a temperatura ambiente. Temperature estreme danneggiano le batterie. Quando non viene utilizzato per un periodo di tempo prolungato, verificare che sia completamente carico almeno una volta al mese.

6. DOMANDE FREQUENTI

- Q. Il mio Start Booster ha tensione sulle pinze.
A. Controllare l'interruttore on/off, il connettore 12/24V o che il fusibile di sicurezza non sia bruciato. Controllare che il connettore sia collegato correttamente.
- Q. Il Booster non si ricarica.
A. Controllare il fusibile all'interno del caricabatterie o all'interno della punta della presa accendi sigari del caricabatterie. Verificare inoltre che il caricabatterie funzioni controllando la sua tensione di uscita sulla punta del connettore accendisigari con un voltmetro.
- Q. Una batteria, un caricabatteria o una pinza possono essere sostituiti?
A. Sì, qualsiasi cosa su questo Booster può essere riparata o sostituita.

7. INFORMAZIONI DI GARANZIA

La garanzia di questa unità dipende dalle condizioni concesse dal rivenditore. Il fabbricante declina ogni responsabilità in qualsiasi momento per qualsiasi garanzia, infortunio o danni alla proprietà. Il trasporto non è mai incluso.

Si prega di smaltire l'imballo in modo responsabile. Dovrebbe essere riciclato dal vostro servizio locale o essere disposto nei cestini adatti al riciclaggio. Non smaltire mai apparecchiature elettriche o batterie nei rifiuti domestici. Farli riciclare dal vostro rivenditore o dal vostro servizio locale.

1. INFORMACION GENERAL

Gracias por comprar este Start Booster Hecho a Mano fabricado en Suiza. Este dispositivo fue diseñado para uso profesional. Nuestro enfoque es fabricar "Start Booster" de calidad para los profesionales que dependerán en ellos para realizar el trabajo.

Asegúrese de que el usuario de este Booster ha leído y entendido este manual del usuario antes de utilizar por primera vez. Este manual contiene importantes instrucciones de seguridad.

Por favor, también Asegúrese de recargar el Booster completamente antes de cada intento de arranque. Asegúrese de utilizar solamente los cargadores suministrados.

Dependiendo del tipo de Booster que tenga, por favor refiérase a la sección apropiada de este manual para precauciones específicas. Hemos desarrollado varias tecnologías para arrancar vehículos y cada una tiene sus propias especificaciones.

Si usted tiene una pregunta después de leer este manual, por favor no dude en contactar con nosotros o su distribuidor directamente para obtener más información.

2. PRECAUCIONES DE SEGURIDAD

Este dispositivo ha sido diseñado para profesionales entrenados y de acuerdo con los códigos de práctica válidos en ese momento. Es seguro operar, pero cerciórese de leer y entender este manual del usuario previamente. Puede ser peligroso si utilizado por non-profesionales o personas entrenada o usado de manera incorrecta. El fabricante no se responsabiliza de un uso incorrecto de este aparato. Por favor siga estos pasos para seguridad máxima:

- Utilice siempre equipo de seguridad: Gafas, guantes, Oído Protección y Vestimenta adecuada.
- Utilice únicamente accesorios o aditamentos aprobado por el fabricante.
- Mantenga siempre este manual cerca de este dispositivo.
- Las modificaciones o alteraciones de este dispositivo están prohibidas.
- Las reparaciones y los servicios sólo pueden ser realizados por un centro oficial autorizado.
- Utilice solamente los cargadores automáticos o inteligentes suministrados.
- Los cargadores o dispositivos dañados deben fijarse o reemplazarse inmediatamente.
- Utilice siempre este dispositivo en un área bien ventilada. Nunca lo use en áreas potencialmente explosivas o cerca de áreas inflamables.
- Nunca deje el Booster de arranque descargado. Asegúrese siempre de que esté completamente cargada, de lo contrario podría anular la garantía.
- Evite cortocircuitos y nunca las abrazaderas se toquen entre sí, o cualquier pieza metálica al mismo tiempo.
- Nunca sumerja en agua, queme o deseche en desperdicios domésticos.
- Los equipos de seguridad, como el extintor de incendios o el agua para enjuagar los ojos, deben estar siempre cerca. También asegúrese de que alguien más está cerca en caso de emergencia.





- No fume, use un encendedor o fósforos cerca de las baterías. Además, no use ropa de vinilo cuando utilice este dispositivo, ya que podría crear chispas eléctricas.
- Retire los artículos metálicos personales cuando trabaje cerca de motores y baterías.
- Lea siempre el manual del usuario del vehículo antes de intentar arrancarlo.
- Este dispositivo sólo está destinado a arrancar baterías de plomo ácido, y no pilas de litio o de células secas que se pueden encontrar en aparatos electrodomésticos, por ejemplo. El plomo puede ser peligroso para el embarazo.
- El aparato no debe ser utilizado por niños o sin vigilancia.
- Mantenga siempre este dispositivo en la posición de apagado (o desconectado) cuando no esté en uso.
- Si este dispositivo se ha caído, está dañado o está goteando, por favor, haga que lo controle de inmediato por un agente autorizado.
- Siempre fije las abrazaderas correctamente en el dispositivo después de cada uso.
- El ácido y los gases de las baterías pueden ser peligrosos, no tocarlos ni inhalarlos.
- Tenga cuidado cuando opere dentro de los motores. Las piezas móviles pueden causar lesiones.
- Nunca arranque o recargue una batería congelada (muy fría). Podría ser muy peligroso.
- Compruebe siempre el voltaje de la batería del vehículo antes de intentar arrancarlo.
- Por favor, recicle Este dispositivo, su batería y empaque correctamente.
- Mantenga siempre el aparato a temperatura ambiente (15-25 ° c) cuando esté almacenado. No deje nunca por un período prolongado de tiempo bajo la lluvia, en el frío o en temperaturas cálidas.



3. CARACTERÍSTICAS

A. FUSIBLE DE SEGURIDAD

Si su Booster está equipada con un fusible de seguridad, por favor lea lo siguiente:

Los fusibles se han desarrollado para proteger su Start Booster y el vehículo contra las polaridades inversas. Si su arrancador no está ya equipado con una seguridad, usted todavía tiene la posibilidad de añadir un nuevo tipo de Pinza con un fusible de seguridad incorporado. Póngase en contacto directamente con su distribuidor para preguntarle si su dispositivo es compatible.

Diferentes tipos de fusibles:

Los fusibles existen en varios tamaños: 300A – 500A – 1000A. Compruebe por favor qué fusible fue instalado en su dispositivo antes de pedir uno nuevo. Puede preguntarle a su distribuidor si necesita cambiar un fusible. Por favor, asegúrese de usar solamente un fusible recomendado. El uso de un fusible que no esté aprobado anulará la garantía.

Ubicaciones de los fusibles:

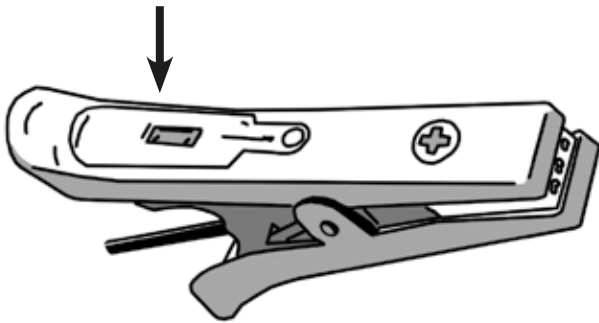
Dependiendo del modelo de Start Booster, el fusible se puede ubicar en varios lugares:

- En el propio Booster, ya sea en la parte delantera o en la parte posterior de la unidad.
- Dentro del mango de la Pinza positiva.

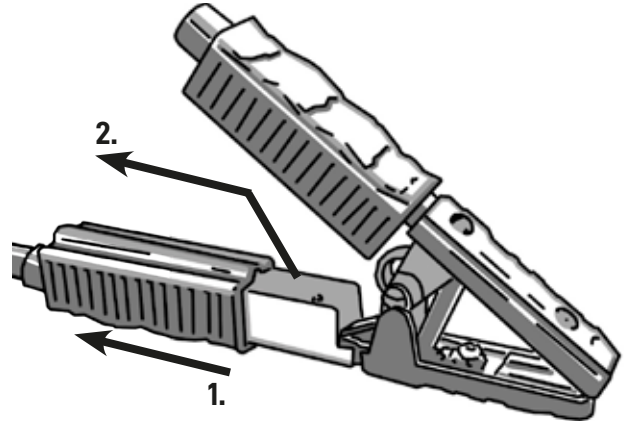
Nuestros fusibles vienen con una pequeña ventana para ver si el fusible está roto o no. A veces, dependiendo de las características, es posible que tenga un fusible de repuesto adicional directamente incorporado en la propia unidad para poder cambiarlo si el conectado ha estallado. Los fusibles son muy fáciles

de cambiar. Primero abra la ventana con un destornillador y luego retire los dos pernos que sostienen el fusible. Tenga cuidado de no quitar los dos pernos detrás del fusible. Luego Reemplace el fusible y apriete los dos pernos para sostener el fusible. Tenga en cuenta también que la dimensión física del fusible varía, dependiendo de si es un fusible para el Booster o un fusible instalado dentro de la abrazadera.

Fusible en la Pinza positiva.



- 1: Retirar la manilla plastica.
- 2: Remueva el fusible.



B. INTERRUPTOR ON/OFF

Si el Booster está equipado con un interruptor de On/Off, por favor lea lo siguiente:

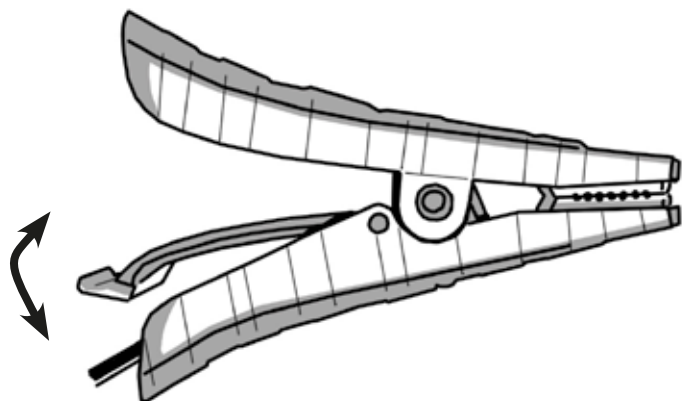
Diferentes tipos de interruptores:

- En el Booster sí mismo.
- Dentro del mango de la Pinza negativa (negra).

En la unidad, por favor, sólo tiene que apagarla o encenderla de acuerdo con las etiquetas del interruptor. Dentro de la abrazadera, empuje el clip hacia arriba para encenderlo y hacia abajo para apagarlo. Hay una señal en la manija también para recordarle. Ver la imagen debajo. Siempre que su dispositivo esté apagado cuando no esté en uso o cuando conecte sus pinzas a su vehículo o batería sólo debe encenderlo después de asegurarse de que las Pinzas estén bien conectadas al vehículo. Una vez que el vehículo ha empezado por favor retire la Pinza negativa primero, luego encienda el interruptor de On/Off y luego la Pinza positiva.

On/Off Clip en Pinza negativas

Posición de arriba está en Encendido **ON**
La posición de abajo está apagada **OFF**



C. ALARMA INVERSIÓN DE LA POLARIDAD

La alarma de polaridad inversa, o Buzzer, emitirá un sonido y una luz cuando detecte una polaridad inversa. Sólo puede funcionar con un interruptor de On/Off situado en el Booster o en un modelo de 12/24V. Para asegurarse de que se usa correctamente, siempre tenga el Booster apagado o desconectado antes de usarlo. A continuación, conecte las Pinzas a los bornes del vehículo o a la batería y, en este momento, la alarma emitirá un ruido y una luz si detecta una conexión de polaridad inversa. Si las Pinzas están bien conectadas, no pasará nada. En este caso, puede encender la unidad o seleccionar el voltaje adecuado en

un modelo de 12/24V antes de arrancar el vehículo.

D. 12/24V Conector / Interruptor

Los modelos 12/24V están equipados con un interruptor o conector rojo. En ambos casos la unidad se puede apagar, ya sea colocando el interruptor en el centro (posición OFF), o tirando del conector rojo hacia fuera (por favor, asegúrese de no tirar de los cables, pero sólo en la manija del conector).

A continuación, para seleccionar el voltaje adecuado, consulte la batería del vehículo (leyendo el manual del usuario del propio vehículo). Una vez que haya asegurado el voltaje, encienda el interruptor en 12V o 24V, o enchufe el conector rojo en el costado del 12V o el lado del 24V. Es importante seleccionar el voltaje correcto para evitar daños al vehículo, o al Booster y anular cualquier explosión debido a una sobrecarga.

Antes de encenderlo, asegúrese de que las Pinzas estén bien conectadas y que no haya polaridad inversa. A continuación, encienda el Booster para arrancar el vehículo. Una vez que el vehículo ha empezado, por favor retire primero la Pinza negativa, luego apague el Booster y luego retire la Pinza positiva.

E. ESTADO DE LA CARGA

Diferentes modelos tendrán un estado de carga diferente. Estos voltímetros están aquí para avisarle si su Booster de arranque está cargada o no. Existen diferentes tipos de indicadores de voltaje:

- **Voltímetro del LED:** compuesto de 5 luces LED que van de rojo a naranja a verde. Este método es fácil de entender si su unidad está cargada o no. Cuando se encienden 4 luces LED, significa que su unidad está lista para su uso. La quinta luz LED sólo se encenderá cuando el dispositivo esté conectado a un cargador (y esté completamente cargado), o cuando el dispositivo esté conectado a un alternador en buena condición. Después de que usted comenzó su vehículo, deje su Booster conectado con el alternador por 10 segundos máximo. Si la quinta luz verde del LED no se enciende, significa que su alternador no está funcionando correctamente.

- **Voltímetro digital/análogo:** Estos dos voltímetros sólo indicarán el voltaje del Booster. Si su Booster está por debajo de 12.7 v, necesita recargarlo. Cuando usted deja su Booster conectado en el vehículo durante 10 segundos máximo, el voltímetro debe leer la salida del voltaje del alternador, que le dejará saber si el alternador está trabajando correctamente o no. (un alternador de trabajo tiene una salida de aproximadamente 14V).

F. MÉTODOS DE CARGA

Los amplificadores con un interruptor de 12 V/24 V o un conector rojo deben estar en la posición de 12 V para recargarse.

Hay diferentes tipos de cargadores disponibles para los Start Boosters:

Cargadores automáticos:

Esta serie se llama la serie Lesa. Viene en 12V o 24V. Esta serie es completamente automática, lo que significa que no se sobrecargará su Booster.

Cargador del coche de LESA1:

Este cable de carga está diseñado sólo para los boosters de arranque con baterías. Se significa para recargar su Booster del zócalo del cigarro de su vehículo mientras que conduce. Asegúrese de desconectarlo cuando el vehículo no esté encendido, para evitar que se descargue la batería.

Cargadores inteligentes:

También es una serie completa de cargadores en 6V, 12V y 24V. Cuando el cargador esté enchufado dentro del enchufe o conectado a las abrazaderas directamente, por favor presione el modo ' Frio ' (AGM) en el cargador para iniciar la carga. Asegúrese de seleccionar el voltaje correcto según el vehículo o la batería.

Cargadores para Booster de Condensadores:

Esta serie se llama Cap. Viene en varios tamaños y está diseñado para nuestra línea de arrancadores de salto de batería. Cuando la unidad está completamente cargada, por favor retire el cargador y no lo mantenga en cargo.

Otros métodos para recargar el Booster de Condensadores:

Puede recargar el Booster de Condensadores conectando sus Pinzas a una batería de 12V bien cargada. Dependiendo del tamaño de la batería, puede tomar hasta unos minutos para recargar su Booster.

Otra manera de recargar un Booster de Condensadores sería dejarlo conectado durante 10-15 segundos máximo al motor/alternador del vehículo después de que haya comenzado. El alternador lo recargará inmediatamente. (por favor, asegúrese de retirar las Pinzas después de 15 segundos como máximo).

Asegúrese de utilizar únicamente el cargador suministrado. El uso de un cargador no autorizado anulará la garantía y puede ser peligroso. Las baterías o condensadores que están sobrecargados se inflarán y empezarán a producir gases, lo que puede causar un incendio o una explosión. Es por eso que sólo recomendamos usar el cargador suministrado en un área bien ventilada.

4. INSTRUCCIONES DE OPERACION

Siempre use equipo de seguridad antes de intentar arrancar su vehículo. Asegúrese de que el área esté bien ventilada y que los terminales estén limpios.

Asegúrese también de que su unidad esté completamente cargada antes de intentar arrancar.

Si tiene una unidad de 12/24V, asegúrese de que el interruptor selector de voltaje esté en "OFF" o que el enchufe del conector de voltaje rojo esté desenchufado. Si tiene una unidad de 12V (o 24V) con On/Off interruptor, asegúrese de que está apagado. Asegúrese también de que los cables no estén en la trayectoria de las partes móviles del motor del vehículo.

Por favor apague el aire acondicionado, la radio y las luces antes de empezar proceso.

A. START BOOSTER DE BATERÍA

1. Conecte la Pinza positiva (roja) al borne positivo.
2. Conecte la Pinza negativa (negra) al bastidor del vehículo (tierra).
3. Si dispone de una unidad de 12/24V, elija la tensión con el selector de tensión o con el enchufe de conexión de tensión 12V o 24V. Si tiene una unidad de 12V o 24V con Interruptor de On/Off.
4. A continuación, encienda el motor y manténgase claro de la batería y el Booster mientras que Arranca, Asegúrese de que no puede caer dentro del compartimiento de motor.
5. Una vez Arranca, primero Desconecte la Pinza negra negativa, después seleccionar Posición OFF o desconecte el enchufe del conector de tensión de la unidad 12/24V.
6. Luego desconecte la Pinza roja (positiva).
7. Almacene ambas Pinzas inmediatamente en su colocación respectiva.
8. Recarga el Booster con el cargador automático suministrado.

Importante: Si el vehículo se rehúsa a arrancar en un lapso de 10 segundos, se debe enfriar el Booster durante 3 minutos antes del siguiente intento. Si todavía no comienza, tenga su batería de coche o motor comprobado. Puede ser que la batería del coche sea defectuosa y se niega aceptar la corriente del ar-

rancador del salto.

Este Start Booster también se puede utilizar como fuente de Corriente. Por ejemplo, usted puede Utilice un cable del ahorrador de la memoria de 12V OBD o 12V luces del LED que puede conectarse al zócalo del Booster. Por favor, recargue siempre el Booster después del uso.

B. BOOSTER DE CONDENSADOR (SIN BATERÍA)

1. Asegúrese de que la unidad esté completamente cargada y apagada (o que el selector de voltaje para las unidades de 12/24V esté desconectado).
2. Conecte la Pinza positiva (roja) al borne positivo.
3. Conecte la Pinza negativa (negra) al bastidor del vehículo (tierra).
4. Si dispone de una unidad de 12/24V, elija la tensión con el selector de tensión o con el enchufe de conexión de tensión 12V o 24V. Si tiene una unidad de 12V o 24V con Interruptor de On/Off.
5. A continuación, encienda el motor y manténgase claro de la batería y el Booster mientras que Arranca, Asegúrese de que no puede caer dentro del compartimiento de motor.
6. Antes de retirar las Pinzas, puede dejar su unidad en el motor/alternador para 10-15 segundos máximo para permitir que el alternador recargue su dispositivo.
7. Una vez iniciado, primera Desconecte la Pinza Negativa, después seleccionar Posición OFF o desconecte el enchufe del conector de tensión de la unidad 12/24V.
8. Luego desconecte la Pinza roja (positiva) y almacene ambas Pinzas inmediatamente en su colocación respectiva.

Nota: es normal que su Booster se descargue rápidamente. También se recarga muy rápidamente si se conecta a una batería directamente (por favor vea la sección de carga).

C. HYBRIDO START BOOSTER

1. Conecte la Pinza positiva (roja) al borne positivo.
2. Conecte la Pinza negativa (negra) al bastidor del vehículo (tierra).
3. Si dispone de una unidad de 12/24V, elija la tensión con el selector de tensión o con el enchufe de conexión de tensión 12V o 24V. Si tiene una unidad de 12V o 24V con Interruptor de On/Off.
4. A continuación, encienda el motor y manténgase claro de la batería y el Booster mientras que Arranca, Asegúrese de que no puede caer dentro del compartimiento de motor.
5. Antes de retirar las Pinzas, puede dejar su unidad en el motor/alternador para 10-15 segundos máximo para permitir que el alternador recargue su dispositivo.
6. Una vez iniciado, primera Desconecte la Pinza Negativa, después seleccionar Posición OFF o desconecte el enchufe del conector de tensión de la unidad 12/24V.
7. Luego desconecte la Pinza roja (positiva) y almacene ambas Pinzas inmediatamente en su colocación respectiva.

Importante: Si el vehículo se niega a arrancar dentro de 10 segundos, deje que su unidad se enfríe durante 3 minutos antes del siguiente intento. Si todavía no arranca, por favor tenga su batería de coche o motor controlado. Puede ser que la batería del coche sea defectuosa y se niega aceptar la corriente del Booster.

5. SERVICIO Y MANTENIMIENTO

Cada repetidor debe ser revisado al menos una vez al año por un centro de servicio autorizado o por Lemania Energía. Lo más importante es asegurarse siempre de que Los Tipos de Booster con batería siempre estén completamente cargados. Mantener su unidad descargada lo dañaría y anularía la garantía. Por favor, utilice el cargador de baterías suministrado para recargarlo. No intente abrir la unidad usted mismo. Que un agente autorizado lo haga por usted. Mantener su unidad limpia y almacenada a temperatura ambiente sería lo mejor. Las temperaturas extremas dañarán las baterías. Cuando no esté en uso durante un largo período de tiempo, asegúrese siempre de que esté completamente cargada por lo menos una vez al mes.

6. PREGUNTAS FRECUENTES

- P. Mi Start Booster no tiene Voltaje en las Pinzas.
R. Compruebe por favor el interruptor de O/Off, el conector de 12/24V o que el fusible de seguridad no ha estallado. Puede ser que el conector no esté conectado correctamente.
- P. El Booster No Esta Recibiendo carga.
R. Compruebe por favor el fusible dentro del cargador o de la extremidad del cargador. Compruebe también que el cargador está funcionando comprobando su salida de tensión en la punta con un voltímetro.
- P. ¿se puede reemplazar una batería, cargador o Pinza?
R. Sí, cualquier cosa en este Booster puede ser reparada o reemplazada.

7. INFORMACION GARANTIA

La garantía de esta unidad depende de las condiciones concedidas por su minorista. El fabricante no tendrá responsabilidad alguna en ningún momento por cualquier garantía, lesión personal o daño a la propiedad. El transporte nunca se incluye.

Por favor, deseche el embalaje de forma responsable. Debe ser reciclado por su amenidad local o colocado en recipientes de reciclaje apropiados. Nunca deseche equipos eléctricos o baterías en su basura doméstica. Hacer que sean reciclados por su minorista o su amenidad local.

1. ALGEMENE INFORMATIE

Dank u voor de aankoop van deze in Zwitserland gefabriceerde Start Booster. Dit apparaat is speciaal ontworpen voor professioneel gebruik. Ons doel is om de hoogste kwaliteit Start Boosters voor professionals te produceren omdat juist zij dag in dag uit moeten kunnen vertrouwen op hun materiaal.

Zorg ervoor dat de gebruiker van de Start Booster voor gebruik deze handleiding heeft gelezen en begrepen. Het bevat belangrijke veiligheidsinstructies.

Zorg er ook voor dat uw Start Booster volledig is opgeladen voor elke startpoging. Gebruik alleen de meegeleverde laders voor het opladen van uw Start Booster.

Raadpleeg de juiste sectie van deze handleiding voor de voorzorgsmaatregelen van uw specifieke Start Booster. We hebben verschillende technologieën ontwikkeld om voertuigen te starten en iedere Booster heeft zijn eigen specificaties.

Mocht u na het lezen van deze handleiding toch nog vragen hebben, aarzel dan niet om direct contact op te nemen met ons of met uw distributeur voor meer informatie.

2. VEILIGHEIDSMAAATREGELEN

Dit apparaat is ontwikkeld voor getraind professioneel personeel, volgens de huidige gebruiksstandaarden en vereiste normen. Het is veilig om te gebruiken, maar lees voor het eerste gebruik de volledige gebruikershandleiding. Het gebruik van dit apparaat door niet professioneel getrainde mensen kan leiden tot gevaarlijke situaties. De fabrikant kan niet verantwoordelijk worden gehouden voor ongepast of verkeerd gebruik van dit apparaat. Volg de hierin vermelde stappen voor optimale veiligheid.



- Draag altijd veiligheidsuitrusting: Bril; handschoenen; oorbescherming en werkkleding.



- Gebruik alleen accessoires die zijn goedgekeurd door de fabrikant.

- Houd deze handleiding altijd in de buurt van dit apparaat.



- Wijzigingen of aanpassingen aan dit apparaat zijn verboden.

- Reparaties kunnen alleen worden uitgevoerd door een gecertificeerd centrum.

- Gebruik alleen de meegeleverde automatische of slimme laders.

- Beschadigde laders of apparaten moeten onmiddellijk worden gerepareerd of vervangen.

- Gebruik dit apparaat altijd in een goed geventileerde ruimte. Gebruik deze nooit in potentieel explosieve omgevingen of in de buurt van brandbare gebieden.



- Zorg er voor dat de Start Booster altijd volledig is opgeladen. De garantie zou bij hele maal leeg ongeldig kunnen geraken.

- Vermijd kortsluiting en vermijd dat de klemmen elkaar raken, of een ander metalen deel op hetzelfde moment.

- Nooit onderdompelen in water, verbranden of weggooien in huishoudelijk afval.

- Veiligheidsuitrusting, zoals brandblusser of water om ogen te spoelen, moet

- altijd in de buurt zijn. Zorg er ook voor dat iemand anders in de buurt is in geval van nood.

- Het is verboden te roken en om aanstekers en lucifers in de buurt van accu's te hebben.

- Draag geen vinyle kleding bij het gebruik van dit apparaat, want het zou kunnen leiden tot statische vonken.



- Verwijder altijd persoonlijke metalen voorwerpen bij het werken in de buurt van motoren en batterijen.
- Lees altijd de gebruikershandleiding van het voertuig voordat u probeert deze te starten met een Start Booster.
- Dit apparaat is alleen bedoeld voor met loodzuur gevulde accu's en niet voor lithium batterijen of droge cel-batterijen die bijvoorbeeld kunnen worden gevonden in huishoudelijke apparaten. Lood kan gevaarlijk zijn voor zwangerschap.
- Het apparaat mag niet worden gebruikt door kinderen of onbeheerd worden achtergelaten.
- Houd dit apparaat altijd op de 'OFF' (of uitgeschakelde) positie wanneer deze niet in gebruik is.
- Als dit apparaat is gevallen, beschadigd of als het lekt, laat het dan direct controleren door een daarvoor gekwalificeerd persoon.
- Bevestig de klemmen altijd correct terug op het apparaat na elk gebruik.



- Accuzuur en gassen kunnen gevaarlijk zijn. Nooit aanraken of inhaleren.
- Wees voorzichtig bij het werken in motoren. Bewegende delen kunnen verwondingen veroorzaken.
- Start of laad nooit een bevroren (zeer koude) accu. Dit kan heel gevaarlijk zijn.
- Controleer altijd de spanning van de accu van het voertuig voordat u probeert deze te starten.



- Dit product dient op de juiste wijze te worden gerecycled.
- Houd het apparaat altijd op kamertemperatuur (15-25 °C) bij opslag. Laat dit product nooit voor langere tijd in de regen, in de kou of in warme temperaturen staan.

3. FUNCTIES

A. VEILIGHEIDSEKERING

Als uw Start Booster is uitgerust met een veiligheidszekering lees dan het volgende:

Zekeringen zijn ontwikkeld om uw Start Booster en voertuig te beschermen tegen omgekeerde polariteit. Als de Start Booster nog niet is uitgerust met een veiligheidszekering, dan heeft u de mogelijkheid om een nieuw type klem toe te voegen met een ingebouwde veiligheidszekering. Neem hiervoor rechtstreeks contact op met uw distributeur om te vragen of uw apparaat hiervoor in aanmerking komt.

Verschillende soorten zekeringen:

Zekeringen bestaan in verschillende maten: 300A – 500A – 1000A. Gelieve te controleren welke zekering in uw apparaat is geïnstalleerd alvorens een nieuwe te bestellen. U kunt ook uw distributeur vragen om uw zekering te vervangen. Zorg ervoor dat u alleen een aanbevolen zekering gebruikt. Met behulp van een zekering die niet is goedgekeurd zal de garantie ongeldig verklaard worden.

Locaties van de zekeringen:

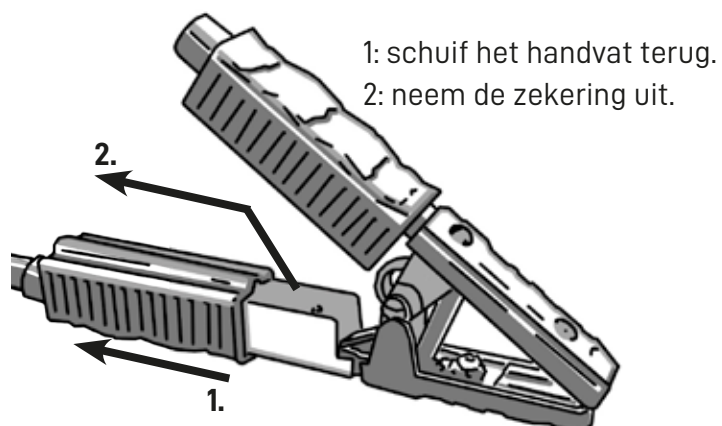
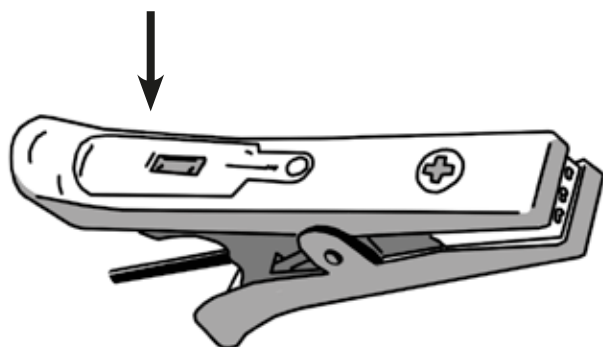
Afhankelijk van het model van uw Start Booster, kan de zekering op verschillende plaatsen zijn gevestigd:

- Op de Start Booster zelf, op de voorkant of de achterkant van het apparaat.
- In het handvat van de positieve (rode) klem.

Onze zekeringen komen met een klein venster om te zien of de zekering is gebroken of niet. Soms, afhankelijk van de Booster, hebt u al een extra reserve-zekering direct ingebouwd in het apparaat, zodat u deze zelf direct kunt vervangen. Zekeringen zijn zeer eenvoudig te vervangen: open eerst het venster met een

schroevendraaier en verwijder vervolgens de twee bouten die de zekering op z'n plaats houden. (Pas op dat u niet de twee bouten achter de zekering verwijdert.) Vervang de zekering en draai de twee bouten die de zekering op z'n plaats houden weer terug. Houd er ook rekening mee dat afmetingen van de zekering kunnen variëren. Sommige zekeringen zijn bevestigd in de Start Booster zelf, anderen hebben een zekering geïnstalleerd in de klem.

Zekering op de positieve (rode) klem.



B. AAN/UIT SCHAKELAAR

Als uw Start Booster is uitgerust met een aan/uit schakelaar, leest u dan het volgende. Verschillende soorten schakelaren:

- Op de Start Booster zelf.
- In het handvat van de negatieve (zwarte) klem.

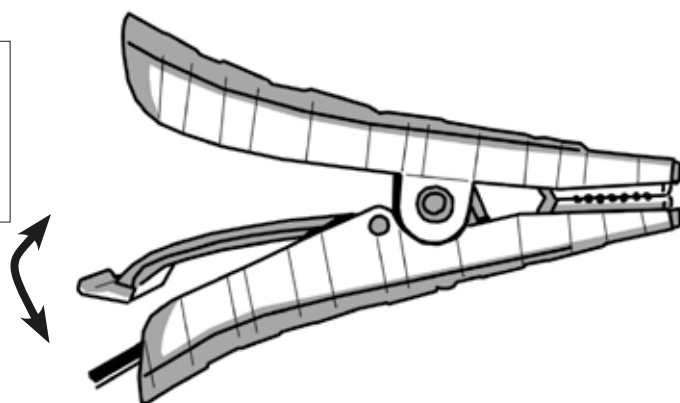
Schakelaar op het apparaat zelf, draai de schakelaar om, om het apparaat uit te schakelen, op basis van de etiketten op de schakelaar.

In het handvat: duw de schakelaar in de klem naar boven om deze in te schakelen en naar beneden om het apparaat weer uit te zetten. Zie de afbeelding hieronder. Er is ook een teken op het handvat om u te helpen. Uw apparaat moet altijd uitgeschakeld zijn, wanneer deze niet in gebruik is. Zo ook bij het aansluiten van de klemmen om uw voertuig of accu. Zet de Start Booster alleen aan nadat u ervoor hebt gezorgd dat de klemmen goed zijn aangesloten op het voertuig. Zodra het voertuig is gestart, verwijdert u eerst de negatieve (zwarte) klem, vervolgens zet u de aan/uit-schakelaar op uit en daarna verwijdert u de positieve (rode) klem.

Aan/uit schakelaar op negatieve (zwarte) klemmen

Omhoog = ingeschakeld 'ON'

Omlaag = uitgeschakeld 'OFF'



C. OMGEKEERDE POLARITEIT ALARM

Het 'omgekeerde polariteit' alarm, of zoemer, zal een geluid en een lichtsignaal geven, wanneer het een omgekeerde polariteit ontdekt. Het kan alleen werken met een Start Booster die is voorzien van een aan/

uit schakelaar op de booster of op een 12/24V model. Om ervoor te zorgen dat het correct wordt gebruikt, altijd de Start Booster uitgeschakeld of losgekoppeld houden. Sluit de klemmen aan op de terminals of de accu van het voertuig. Op dit moment zal het alarm een geluid maken en een licht uitstoten als het een omgekeerde polariteit detecteert. Als de klemmen goed zijn aangesloten, gebeurt er niets. In dit geval kunt u uw toestel op 'ON' zetten en selecteert u de juiste spanning op een 12/24V model voordat u begint met het starten van uw voertuig.

D. 12/24V STEKKER / SCHAKELAAR

De 12/24V modellen zijn uitgerust met een schakelaar of met een rode connector. In beide gevallen kan het apparaat worden uitgeschakeld, door ofwel het plaatsen van de schakelaar in het midden (positie uit), of door het loskoppelen van de rode connector (zorg ervoor dat u niet trekt aan de kabels, maar alleen aan de connector handvat).

Voor het kiezen van de juiste spanning, verwijzen wij u naar de accu-informatie van het voertuig (deze kunt u vinden in de gebruikershandboek van het voertuig zelf). Zodra u de juiste spanning kent, draait u de schakelaar op 12V of 24V, of u sluit de rode connector aan, aan de kant van de 12V of de kant van de 24V. Het is belangrijk om de juiste spanning te selecteren om beschadigingen te voorkomen aan het voertuig en de Booster en het voorkomen van een eventueel explosiegevaar als gevolg van overlading.

Voordat u de Start Booster aanzet, zorg ervoor dat de klemmen goed zijn aangesloten en verzeker u ervan dat er geen omgekeerde polariteit is. Vervolgens zet u de Start Booster aan om het voertuig te starten. Zodra de motor van het voertuig loopt, verwijdert u eerst de negatieve (zwarte) klem, vervolgens zet u de Booster uit en daarna verwijdert u de positieve (rode) klem.

E. LAAD STATUS

Verschillende modellen hebben een andere lading status. Deze Voltmeters zijn bedoeld om u te laten weten of uw Start Booster is opgeladen of niet. Er zijn verschillende types van voltage indicatoren:

- **LED voltmeter:** samengesteld uit 5 LED-lampjes gaande van rood naar oranje naar groen. Deze methode is gemakkelijk te begrijpen of uw toestel is opgeladen of niet. Wanneer 4 LED-lampen zijn ingeschakeld, betekent dit dat uw toestel klaar is voor gebruik. Het 5e LED-lampje wordt alleen ingeschakeld wanneer uw apparaat is aangesloten op een lader (en volledig is opgeladen), of wanneer uw apparaat is aangesloten op een werkende alternator. Nadat u uw voertuig begonnen, laat uw Booster aangesloten op de alternator gedurende 10 seconden maximum. Als het 5e (het groene lampje niet aan gaat, betekent dit dat uw alternator niet naar behoren werkt.

- **Digitale/Analoge Voltmeter:** Deze twee Voltmeters geven alleen de spanning van de Start Booster weer. Als uw Booster-spanning lager is dan 12,7 V, moet u deze opladen. Wanneer u uw Booster op het voertuig aangesloten houdt gedurende maximum 10 seconden, moet de Voltmeter de spannings-output van de alternator aangeven. Zo kunt u zien of de alternator goed werkt of niet. (een werkende alternator heeft een output van ongeveer 14V).

F. OPLAAD METHODEN

Boosters met een 12V/24V-schakelaar of rode connector moeten in de 12V-stand staan om op te laden.

Er zijn verschillende soorten laders beschikbaar voor de Start Boosters:

Automatische laders:

Deze serie heet de LESA serie. Het komt in 12V of 24V. Deze laders zijn volledig automatisch, wat betekent

dat ze uw Start Booster niet zullen overladen.

LESA1 autolader:

Dit oplaadsnoer is alleen ontworpen voor Start Boosters met accu's. Het is bedoeld om uw Booster op te laden via de sigaar socket van uw voertuig tijdens het rijden. Zorg ervoor dat u de verbinding verbreekt wanneer het voertuig niet is ingeschakeld, om zo het ontladen van uw accu te voorkomen.

Slimme laders:

Dit is een reeks laders in 6V, 12V en 24V. Wanneer de lader is aangesloten in het stopcontact of direct is aangesloten op de klemmen, druk dan op de ' Snow Flake ' (AGM) modus op de lader om het opladen te starten. Zorg ervoor dat u de juiste spanning selecteert op basis van het voertuig of de accu.

Acculoze Start Booster laders:

Deze serie heet CAP. Het komt in verschillende maten en is ontworpen voor onze lijn van acculoze Jump Starters. Als het apparaat volledig is opgeladen, verwijder dan direct de lader. Laat deze nooit aangesloten. Dit kan leiden tot beschadigingen.

Andere methoden om uw acculoze Start Boosters op te laden:

U kunt uw acculoze Start Booster opladen door de klemmen aan te sluiten op een volledig opgeladen 12V batterij. Afhankelijk van de grootte van de batterij kan het een paar minuten duren om uw Booster op te laden.

Een andere manier om een acculoze Start Booster op te laden is om het voor 10-15 seconden maximum aangesloten te laten aan de motor/alternator van het voertuig nadat het is gestart. De alternator zal de acculoze Start Booster onmiddellijk opladen. (zorg ervoor dat u de klemmen verwijdert na maximaal 15 seconden.)

Gebruik uitsluitend de meegeleverde lader. Het gebruik van een niet-geautoriseerde lader zal de garantie ongeldig verklaren en kan bovendien gevaarlijk zijn. Accu's of condensatoren die worden overbelast kunnen opblazen en daarbij gassen produceren die brand of een explosiegevaar veroorzaken. Wij raden u daarom aan de meegeleverde lader in een goed geventileerde ruimte te gebruiken.

4. GEBRUIKSAANWIJZING

Draag altijd veiligheidskleding voordat u probeert een voertuig te starten. Zorg ervoor dat de omgeving goed geventileerd is en dat de terminals schoon zijn.

Zorg er ook voor dat uw Start Booster volledig is opgeladen voordat u probeert een voertuig te starten.

Als u een 12/24V-Booster hebt, zorg er dan voor dat de spanningskeuze schakelaar op 'OFF' staat of dat de rode voltage-stekker is losgekoppeld. Als u een 12V (of 24V) eenheid met Aan/uit schakelaar hebt, zorg er dan voor dat deze is uitgeschakeld. Zorg er ook voor dat de kabels niet in de buurt van bewegende delen van de motor van het voertuig kunnen komen.

Schakel de airconditioning, de radio en de lichten uit voordat u begint.

A. ACCU START BOOSTER

1. Sluit de positieve (rode) klem aan op de positieve aansluiting.
2. Sluit de negatieve (zwarte) klem aan op het frame van het voertuig (grond).
3. Als u een 12/24V-Booster hebt, kies de spanning met de spanningskeuze schakelaar of met de spannings-stekker 12V of 24V. Als u een 12V of 24V apparaat hebt met een AAN/Uit schakelaar, zet hem aan.
4. Start de motor en blijf op veilige afstand van de accu en de Start Booster terwijl de motor probeert te

starten. Verzeker u ervan dat de Start Booster niet in het motorcompartiment kan vallen.

5. Als het voertuig is gestart, ontkoppel dan eerst de negatieve (zwarte) klem, zet vervolgens de spannings keuzeschakelaar op 'OFF'; of koppel de stekker van de voltage connector los van de 12/24V eenheid.
6. Koppel daarna pas de rode (positieve) klem los.
7. Berg beide klemmen onmiddellijk op in hun respectievelijke plaatsen op de Booster.
8. Laad de Start Booster op met de meegeleverde automatische lader.

Belangrijk: Als het voertuig weigert om te starten binnen 10 seconden, laat de Start Booster afkoelen gedurende 3 minuten voordat u een volgende poging waagt. Als het voertuig nog steeds niet start, controleer dan de accu van het voertuig en de motor. Het kan zijn dat de accu defect is en weigert om de stroom te accepteren van de Start Booster.

Deze start Booster kan ook worden gebruikt als een bron van energie. U kunt bijvoorbeeld een 12V OBD-Memory Saver kabel of 12V LED-verlichting aansluiten op de booster. Zorg ervoor dat u de booster altijd volledig oplaadt na gebruik.

B. ACCULOZE START BOOSTER

1. Zorg ervoor dat het apparaat volledig is opgeladen en uitgeschakeld (of dat de voltage stekker voor 12/24V eenheden is losgekoppeld).
2. Sluit de positieve (rode) klem aan op de positieve aansluiting.
3. Sluit de negatieve (zwarte) klem aan op het frame van het voertuig (grond).
4. Als u een 12/24V-eenheid hebt, kies de spanning met de spannings-keuze schakelaar of met de spanningsstekker 12V of 24V. Als u een 12V of 24V apparaat hebt met een Aan/Uit schakelaar, zet hem aan.
5. Start de motor en blijf op veilige afstand van de accu en de Start Booster terwijl de motor probeert te starten. Verzeker u ervan dat de Start Booster niet in het motorcompartiment kan vallen.
6. Laat de Booster 10-15 seconden maximum aangesloten, om de dynamo in staat te stellen uw apparaat weer volledig op te laden.
7. Eenmaal het voertuig gestart, koppel dan eerst de negatieve (zwarte) klem los, zet vervolgens de booster Uit; of koppel de stekker van de voltage connector los van de 12/24V-eenheid.
8. Koppel daarna pas de rode (positieve) klem los en berg de klemmen op.

NB: het is normaal dat uw Booster snel leeg is. De Booster is ook weer extreem snel opgeladen, als u deze aansluit op een accu (Zie laad sectie).

C. HYBRIDE START BOOSTER

1. Sluit de positieve (rode) klem aan op de positieve aansluiting.
2. Sluit de negatieve (zwarte) klem aan op het frame van het voertuig (grond).
3. Als u een 12/24V eenheid hebt, kies dan de spanning met de spanningskeuze schakelaar of met de spanning connector stekker 12V of 24V. Als u een 12V of 24V apparaat hebt met een Aan/Uit schakelaar, zet deze aan.
4. Start de motor en blijf op veilige afstand van de accu en de Start Booster terwijl de motor probeert te starten. Verzeker u ervan dat de Start Booster niet in het motorcompartiment kan vallen.
5. Laat de Booster 10-15 seconden maximum aangesloten, om de dynamo in staat te stellen uw apparaat

weer volledig op te laden.

6. Eenmaal het voertuig gestart, koppel dan eerst de negatieve (zwarte) klem los, zet vervolgens de booster Uit; of koppel de stekker van de voltage connector los van de 12/24V-eenheid.
7. Koppel daarna pas de rode (positieve) klem los en berg de klemmen op.

Belangrijk: Als het voertuig weigert binnen 10 seconden te starten, laat dan uw Booster 3 minuten afkoelen voordat u begint aan de volgende poging. Als het voertuig nog steeds niet wilt starten, controleer dan de motor en de accu. Het kan zijn dat de accu van het voertuig defect is en weigert om de stroom van de Booster te accepteren.

5. SERVICE & ONDERHOUD

Elke booster moet minstens één keer per jaar worden onderhouden door een erkend servicecentrum of door Lemania Energy. Het belangrijkste is om er altijd voor te zorgen dat uw accu Start Booster of Hybride Start Booster altijd volledig is opgeladen. Het volledig laten ontladen van de Start Booster kan beschadigingen tot gevolg hebben en leidt tot verval van garantie. Gebruik ook alleen de meegeleverde acculader om de Start Booster op te laden. Probeer het apparaat niet zelf te openen. Laat een erkende persoon dit doen voor u. Houd uw toestel altijd schoon en opgeslagen bij kamertemperatuur. Extreme temperaturen kunnen de accu beschadigen. Wanneer de Booster niet in gebruik is voor een langere periode, zorg er dan altijd voor dat het ten minste eenmaal per maand volledig is opgeladen.

6. VEELGESTELDE VRAGEN

- V. Mijn start Booster heeft geen stroom op de klemmen.
- A. Controleer of de aan/uit schakelaar op aan staat, de 12/24V stekker is aangesloten en dat de veiligheidszekering niet kapot is.
- V. De Booster neemt geen stroom op.
- A. Controleer de zekering in de lader of het uiteinde van de lader. Controleer ook of de lader werkt door het controleren van de voltage output met een voltmeter.
- V. Kan een batterij, lader of klem worden vervangen?
- A. Ja, alles op deze Booster kan worden gerepareerd of vervangen.

7. WARRANTY INFORMATION

The warranty of this unit depends on the conditions granted by your retailer. The manufacturer shall have no liability whatsoever at any time for any warranty, personal injury or property damage. Transport is never included.

Please dispose of the packaging in a responsible manner. It should be recycled by your local amenity or placed in appropriate recycling bins. Never dispose of electrical equipment or batteries in your domestic waste. Have them recycled by your retailer or your local amenity.

1. INFORMAÇÃO GERAL

Obrigado por adquirir este Start Booster fabricado na Suíça. Este dispositivo foi concebido apenas para uso profissional. O nosso foco é fornecer Start Boosters de qualidade para profissionais que possam ser utilizados sem problemas para efetuar a operação de arranque do motor.

Por favor, verifique se o utilizador deste Start Booster leu e entendeu este manual do usuário antes da primeira utilização. Contém instruções de segurança importantes. Por favor, certifique-se também de recarregar completamente o seu Start Booster antes de cada tentativa de arranque do motor. Certifique-se de que utiliza apenas os carregadores automáticos fornecidos.

Dependendo do tipo de Start Booster que tiver, consulte a secção apropriada deste manual para precauções específicas. Nós desenvolvemos várias tecnologias para arranque de veículos e cada uma tem suas próprias especificações.

Se você tiver alguma questão depois de ler este manual, por favor, não hesite em contactar-nos diretamente ou através do seu distribuidor para mais informações.

2. PRECAUÇÕES DE SEGURANÇA

Este dispositivo foi projetado para profissionais treinados e de acordo com os códigos de prática válidos no momento. Se for seguro operar o dispositivo, por favor certifique-se que leu e compreendeu este manual do usuário de antemão. Poderá ser perigoso se usado por pessoas que não é profissionalmente treinado ou de forma incorrecta. O fabricante não pode ser responsabilizado por uma utilização incorrecta deste dispositivo. Por favor, siga estes passos para segurança máxima:



- Utilize sempre equipamento de segurança: Óculos, luvas, protecção de orelhas e vestuário apropriado.



- Utilize apenas acessórios aprovados pelo fabricante.

- Mantenha sempre o manual perto do dispositivo.

- Modificações ou alterações no dispositivo são proibidas.



- Reparações e serviços só podem ser realizados por um centro oficial autorizado.

- Utilize apenas os carregadores automáticos ou carregadores inteligentes fornecidos juntamente com os Start Boosters.

- Os carregadores ou dispositivos danificados devem ser imediatamente fixados ou substituídos.



- Utilize sempre este dispositivo numa área bem ventilada. Nunca utilize em áreas potencialmente explosivas ou perto de áreas inflamáveis.

- Nunca deixe o seu Start Booster descarregado. Certifique-se sempre de que está totalmente carregado, caso contrário pode anular a garantia.

- Evite curto-circuitos e nunca ter as pinças a tocar entre elas, ou qualquer parte de metal ao mesmo tempo.

- Nunca mergulhe em água, queime ou deite fora junto com o lixo doméstico.

- Deve ter equipamento de segurança próximo, tal como extintor de incêndio ou água para enxaguar os olhos. Certifique-se também que alguém está perto em caso de emergência.



- Não fume, utilize um isqueiro ou fósforos perto das baterias. Além disso, não use roupas de vinil ao usar este dispositivo, porque poderia criar faíscas elétricas.

- Remova itens metálicos pessoais ao trabalhar perto de motores e baterias.
- Leia sempre o manual do usuário do veículo antes de tentar iniciá-lo.
- Este dispositivo destina-se apenas a iniciar baterias de chumbo ácido, e não de lítio ou pilhas de células secas que podem ser encontradas em eletrodomésticos, por exemplo. O chumbo pode ser perigoso para a gravidez.
- Este dispositivo não se destina a ser utilizado por pessoas (incluindo crianças) com incapacidades físicas ou por pessoas sem experiência ou que não foram previamente treinadas.
- Mantenha sempre este dispositivo na posição OFF (ou desligado) quando não estiver em uso.
- Se este dispositivo foi descartado, estiver danificado ou estiver furado, por favor, deve ser controlado de imediato por um agente autorizado.
- Coloque sempre as pinças corretamente no aparelho após cada utilização.
- O ácido e os gases das baterias podem ser perigosos, nunca toque/ou inale.
- Tenha cuidado ao operar dentro dos motores. As partes móveis podem causar ferimentos.
- Nunca inicie ou recarregue uma bateria congelada (muito fria). Pode ser muito perigoso.
- Verifique sempre a tensão da bateria do veículo antes de tentar iniciar o motor do veículo.
- Recicle por favor este dispositivo, sua bateria e embalagem corretamente.
- Mantenha sempre o aparelho à temperatura ambiente (15-25 °C) quando armazenado.
- Nunca deixe por um longo período de tempo à chuva, ao frio ou em temperaturas quentes.



3. CARACTERÍSTICAS

A. FUSÍVEL DE SEGURANÇA

Se o seu Start Booster de arranque estiver equipado com um fusível de segurança, leia o seguinte: Os fusíveis foram desenvolvidos para proteger o seu Start Booster e o veículo, contra inversões de polaridade. Se o seu Start Booster não estiver equipado com um sistema de segurança, ainda tem a possibilidade de adicionar um novo tipo de pinça com um fusível de segurança incorporado. Por favor contacte o seu distribuidor directamente para perguntar se o seu dispositivo é compatível.

Diferentes tipos de fusíveis:

Os fusíveis existem em vários tamanhos: 300A – 500A – 1000A. Por favor, verifique qual fusível foi instalado no seu dispositivo antes de encomendar um novo. Você pode perguntar ao seu distribuidor se precisa de mudar um fusível. Por favor, certifique-se que utiliza apenas um fusível recomendado. O uso de um fusível que não seja aprovado anulará a garantia.

Localizações dos fusíveis:

Dependendo do modelo do start Booster, o fusível pode ser localizado em vários lugares:

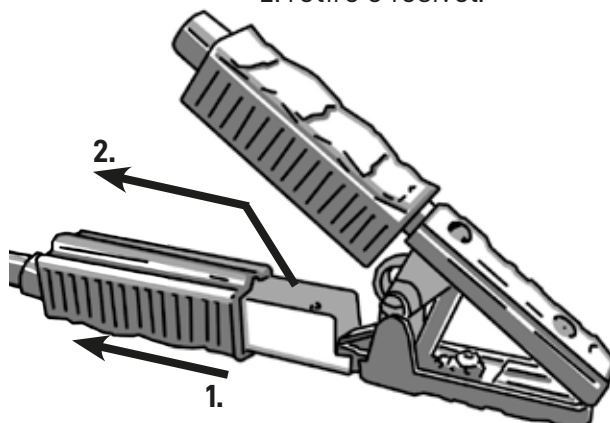
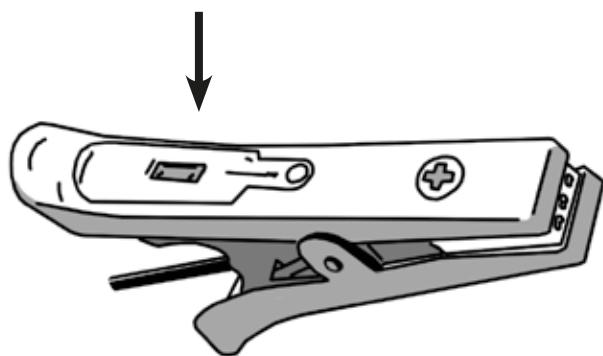
- No próprio Booster, quer na parte frontal quer na parte traseira da unidade.

- Dentro da pinça do positivo.

Os fusíveis vêm com uma pequena janela para ver se está quebrado ou não. Às vezes, dependendo das características, você pode ter um fusível extra sobressalente directamente embutido na própria unidade para ser capaz de mudá-lo. Os fusíveis são muito fáceis de mudar. Primeiro abra a janela com uma chave de fendas e, em seguida, retire os dois parafusos segurando o fusível. Tenha cuidado para não remover os dois parafusos atrás do fusível. Em seguida, substitua o fusível e aperte os dois parafusos para segurar o fusível. Por favor, note também que a dimensão física do fusível irá variar, dependendo se for um fusível para o Booster em si ou um fusível que está instalado dentro da pinça.

Fusível na pinça positiva:

1: deslize o manípulo para trás.
2: retire o fusível.



B. INTERRUPTOR DE LIGAR/DESLIGAR

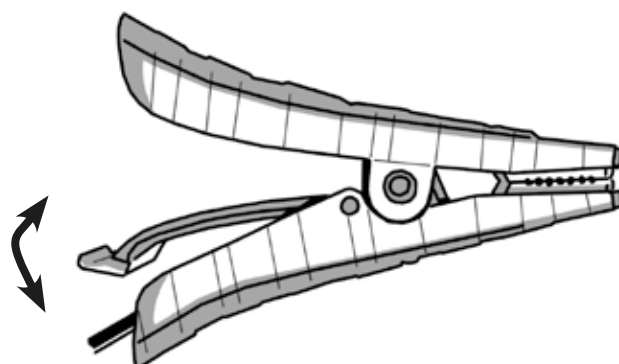
Se o seu Start Booster estiver equipado com um interruptor de ligar/desligar, por favor, leia o seguinte: Diferentes tipos de interruptores:

- No Booster.
- Dentro da pinça negativa (preta).

Na unidade em si, por favor, apenas desligá-lo ou de acordo com as etiquetas no interruptor. Dentro da pinça, empurre o clipe para cima para ligá-lo e para baixo para desligá-lo. Há um sinal no punho também para lembrá-lo. Ver a imagem abaixo.

Utilizar sempre o dispositivo desligado quando não estiver em uso ou quando ligar as pinças ao seu veículo ou massa. Ligue apenas depois de ter a certeza de que as pinças estão correctamente ligados ao veículo. Uma vez que o veículo começou por favor, retire o grampo negativo em primeiro lugar, em seguida, desligue o interruptor de ligar/desligar e, em seguida, o grampo positivo.

Pinça negativa Ligada/desligada
Posição acima está **desligada**
Posição para baixo está **ligado**



C. ALARME DE INVERSAO DE POLARIDADE

O alarme de polaridade inversa, ou campainha, emitirá um som e uma luz quando detectar uma inversão de polaridade.

Ele só pode trabalhar com um interruptor on/off localizado no Start Booster ou em um modelo de 12/24V. Para ter a certeza de que é utilizado correctamente, tenha sempre o Start Booster desligado ou desligado antes de o utilizar. Em seguida, conecte as pinças aos terminais ou à bateria do veículo e, neste momento, o alarme emitirá um ruído e uma luz, se detectar uma conexão de polaridade inversa. Se os grampos estão conectados corretamente, nada vai acontecer. Neste caso, você pode então ligar a sua unidade, ou

selecionar a tensão apropriada num modelo de 12/24V antes de ligar o seu veículo.

D. 12/24V CONNECTOR / INTERRUPTOR

Os modelos de 12/24V são equipados com um interruptor ou um conector vermelho. Em ambos os casos, a unidade pode ser desligada, colocando o interruptor no centro (posição OFF), ou puxando o conector vermelho para fora (por favor, certifique-se de não puxar os cabos, mas apenas a alça do conector).

Em seguida, para seleccionar a tensão adequada, consulte a bateria do veículo (lendo o manual do utilizador do próprio veículo). Uma vez que você se certificou da tensão, rode o interruptor para 12V ou 24V, ou ligue o conector vermelho no lado de 12V ou no lado de 24V. É importante seleccionar a tensão correta para evitar danificar o veículo ou a unidade, e para anular qualquer explosão devido ao excesso de carga. Antes de ligá-lo, certifique-se de que as pinças estão correctamente ligadas e que não há polaridade inversa. Em seguida, ligue o Start Booster para por o veículo a trabalhar. Uma vez que o veículo esteja a trabalhar, por favor retire primeiro o grampo negativo, em seguida, desligue o Start Booster e em seguida, retire o grampo positivo.

E. ESTADO DA CARGA

Diferentes modelos terão um estatuto de carga diferente. Estes voltímetros servem para deixá-lo saber se o seu Start Booster está carregado ou não. Existem diferentes tipos de indicadores de tensão:

- **Voltímetro LED:** composto de 5 luzes LED indo de vermelho para laranja para verde. Este método é fácil de entender se a sua unidade está carregada ou não. Quando 4 luzes LED estão acesas, significa que a sua unidade está pronta para usar. A quinta luz LED só ligará quando o dispositivo estiver ligado a um carregador (e estiver totalmente carregado), ou quando o dispositivo estiver ligado a um alternador em funcionamento. Depois de ter ligado o seu veículo, deixe o Start Booster ligado ao alternador durante 10 segundos no máximo. Se a quinta luz LED verde não ligar, isso significa que o seu alternador não está a funcionar corretamente.

- **Voltímetro digital/analógico:** Estes dois voltímetros só indicarão a tensão do Start Booster. Se o seu Start Booster está abaixo de 12,7 v, precisa recarregá-lo. Quando deixar o seu Start Booster ligado ao veículo por 10 segundos no máximo, o voltímetro deve ler a saída de tensão do alternador, ficando a saber se o alternador está a funcionar corretamente ou não. (um alternador em funcionamento tem uma saída de aproximadamente 14V).

F. METODOS DE CARREGAMENTO

Boosters com chave 12V/24V ou conector vermelho devem estar na posição 12V para recarregar.

Há diferentes tipos de carregadores disponíveis para os Start Boosters:

Carregadores automáticos:

Esta série é chamada de Lesa. Fornecido em 12V ou 24V. Esta série é totalmente automática, o que significa que não provocará uma sobrecarga no Start Booster.

Carregador de automóvel LESA1:

Este cabo de carga é projetado apenas para os Start Boosters com bateria. Destinase a recarregar o seu Start Booster no isqueiro do seu veículo enquanto conduz. Certifique-se de desconectá-lo quando o veículo não está ligado, para evitar a descarga da bateria.

Carregadores inteligentes:

É também uma série completa de carregadores em 6V, 12V e 24V. Quando o carregador estiver ligado ao interior da tomada ou ligado directamente aos grampos, por favor, pressione o modo AGM (flocos de neve) no carregador para iniciar a carga. Certifique-se de seleccionar a voltagem correta de acordo com o veículo ou bateria.

Carregadores de Start Boosters sem baterias:

Esta série é chamada Capacitor. Disponível em vários tamanhos, é projetado para a nossa linha de arranque sem bateria. Quando a unidade estiver totalmente carregada, por favor retire o carregador e não o mantenha em carga.

Métodos de recarga do seu Start Booster sem bateria:

Pode recarregar o seu Start Booster sem bateria, ligando as pinças a uma bateria de 12V bem carregada. Dependendo do tamanho da bateria, pode levar até alguns minutos para recarregar o seu Start Booster. Outra maneira de recarregar um Start Booster sem bateria, é deixá-lo ligado por 10-15 segundos no máximo ao motor/alternador do veículo depois de ligado. O alternador irá recarregá-lo imediatamente. (por favor, certifique-se de remover as pinças após 15 segundos no máx.)

Certifique-se de utilizar apenas o carregador fornecido. O uso de um carregador não autorizado anulará a garantia e poderá ser perigoso. Baterias ou capacitores sobrecarregados podem inflamar e começarão a produzir gases, o que pode causar um incêndio ou uma explosão. É por isso que só recomendamos usar o carregador fornecido sempre numa área bem ventilada.

4. INSTRUÇÕES DE FUNCIONAMENTO

Use sempre equipamento de segurança antes de tentar iniciar o seu veículo. Verifique se a área está bem ventilada e se os terminais estão limpos.

Certifique-se também de que a sua unidade está totalmente carregada antes de tentar iniciar o arranque. Se tiver uma unidade de 12/24V, certifique-se de que o selector de tensão está ligado "off" ou que a ficha do conector de tensão vermelha está desconectada. Se tem uma unidade 12V (ou 24V) com interruptor ON/OFF, certifique-se de que está desligado. Certifique-se também de que os cabos não estão no caminho das partes móveis do motor do veículo.

O terminal da bateria não ligado ao chassis, deve ser ligado primeiro. O outro terminal deve ser ligado ao chassis, longe da bateria e do depósito de combustível. Após iniciar o motor, remova a ligação do chassis primeiro, de seguida a ligação da bateria na mesma ordem.

Por favor, desligue o ar condicionado, o rádio e as luzes antes do arranque do motor.

A. Start Booster com bateria

1. Conecte a pinça positiva (vermelho) ao terminal positivo.
2. Conecte a pinça negativa (preto) ao chassis do veículo (terra).
3. Se tem uma unidade de 12/24V, escolha a voltagem com o seletor ou com a ficha de 12V ou 24V do conector de voltagem. Se tiver uma unidade com interruptor 12V/ 24V, ligue-o.
4. Em seguida, ligue o seu motor e mantenha-se próximo da bateria e do Start Booster enquanto coloca o motor em funcionamento. Assegure-se de que ele não pode cair dentro do compartimento do motor.
5. Uma vez iniciado, primeiro desconecte a pinça preta do negativo e coloque em Off (desligado); ou desconecte a ficha da unidade 12/24V.
6. Em seguida, desconecte a pinça vermelha (positiva).
7. Armazene ambas as pinças imediatamente no respectivo sítio.
8. Recarregue o Start Booster com o carregador automático fornecido.

Importante: se o veículo não ligar em 10 segundos, deixe a sua unidade arrefecer durante 3 minutos

antes da próxima tentativa. Se não iniciar, pode ter a bateria do veículo ou motor danificados. No caso da bateria, pode ter um problema e não aceita a corrente do Start Booster.

Este Start Booster também pode ser usado como fonte de energia. Por exemplo, pode usar um cabo salva memória 12V OBD ou luzes LED 12V ligadas directamente na ficha do Start Booster. Por favor, recarregue sempre o Start Booster após o uso.

B. Start booster sem bateria

1. Certifique-se de que a unidade está totalmente carregada e desligada (ou que o selector de tensão para as unidades 12/24V está desligado).
2. Conecte a pinça positiva (vermelha) ao terminal positivo.
3. Conecte a pinça negativa (preta) ao chassis do veículo (terra).
4. Se tem uma unidade de 12/24V, escolha a voltagem com seletor ou com a ficha de 12V ou 24V do conector de voltagem. Se tiver uma unidade com interruptor 12V/24V, ligueo.
5. Em seguida, ligue o seu motor e mantenha-se perto da bateria e do Start Booster enquanto coloca o motor em funcionamento. Assegure-se de ele não pode cair dentro do compartimento do motor.
6. Antes de remover as pinças, pode deixar a sua unidade ligada ao motor/alternador, durante 10-15 segundos no máximo para permitir que recarregue.
7. Uma vez iniciado, primeiro desconecte a pinça negativa, depois ponha o selector de voltagem para fora, ou desconecte a ficha do conector de voltagem da unidade 12/24V.
8. Em seguida, desligue a pinça vermelha (positivo) e arrume directamente as pinças. Nota: é normal que o seu Start Booster descarregue rapidamente. Também vai recarregar rapidamente se conectá-lo directamente a uma bateria (consulte a secção de carregamento).

C. Start Booster Híbrido

1. Conecte a pinça positiva (vermelha) ao terminal positivo.
2. Conecte a pinça negativa (preto) ao chassis do veículo (terra).
3. Se tem uma unidade de 12/24V, escolha a voltagem com o seletor ou com a ficha 12V ou 24V do conector da voltagem. Se tiver uma unidade com interruptor 12V/24V, ligueo.
4. Em seguida, ligue o seu motor e mantenha-se perto da bateria e do Start Booster enquanto coloca o motor em funcionamento. Assegure-se de ele não pode cair dentro do compartimento do motor.
5. Antes de remover as pinças, pode deixar a sua unidade ligada ao motor/alternador, durante 10 segundos no máximo para permitir que recarregue.
6. Uma vez iniciado, primeiro desconecte a pinça negativa, depois ponha o selector de voltagem para fora, ou desconecte a ficha do conector de voltagem da unidade 12/24V.
7. Em seguida, desligue a pinça vermelha (positiva) e arrume directamente as pinças.

Importante: se o veículo não ligar em 10 segundos, deixe a sua unidade arrefecer durante 3 minutos antes da próxima tentativa. Se não iniciar, pode ter a bateria do veículo ou motor danificados. No caso da bateria, pode ter um problema e não aceita a corrente do Start Booster.

5. SERVIÇO E MANUTENÇÃO

A manutenção de cada booster deve ser efectuada pelo menos uma vez por ano por um centro de assistência aprovado ou pela Lemania Energy. O mais importante é sempre certificarse de que o seu Booster Start com bateria ou Start Booster híbrido é sempre totalmente carregado. Manter a sua unidade descarregada danificála e anulará a garantia. Por favor, utilize também o carregador de bateria fornecido para recarregála. Não tente abrir a unidade. Entregue num agente autorizado. Mantenha a sua unidade limpa e armazenada na temperatura ambiente. As temperaturas extremas danificarão as baterias. Quando não estiver em uso por um longo período de tempo, certifique-se sempre de que está totalmente carregado pelo menos uma vez por mês.

6. PERGUNTAS FREQUENTES

Perg. O meu Start Booster não tem corrente nas pinças.

Resp. Por favor, verifique o interruptor On/Off para ligar ou desligar, o conector de 12/24V ou se o fusível de segurança não está queimado. Pode ser que o conector não esteja conectado corretamente.

Perg. O Start Booster não pode assumir a carga.

Resp. Por favor, verifique o fusível dentro do carregador ou a ponta do carregador. Verifique também se o carregador está a funcionar verificando a sua saída de voltagem na ponta com um multímetro.

Perg. Uma bateria, um carregador ou uma pinça podem ser substituídos?

Resp. Sim, qualquer peça nestes Start Boosters pode ser consertada ou substituída.

7. INFORMAÇÕES DE GARANTIA

A garantia desta unidade dependerá das condições concedidas pelo seu vendedor. O fabricante não terá qualquer responsabilidade a qualquer momento por qualquer garantia, lesão corporal ou danos materiais. O transporte nunca é incluído.

Por favor, descarte a embalagem de forma responsável. Ela deve ser reciclada por uma entidade local ou colocada em lixeiras apropriadas de reciclagem. Nunca descarte equipamentos elétricos ou baterias junto com o lixo doméstico. Devem ser reciclados pelo seu vendedor ou pela entidade local de reciclagem.

**SWISS
MADE** 